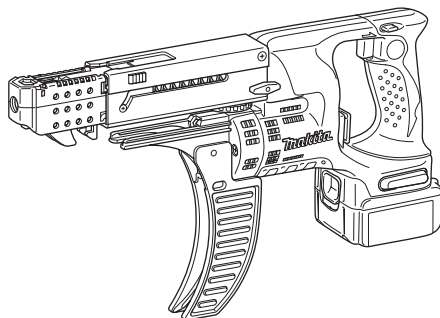




EN	Cordless Auto Feed Screwdriver	INSTRUCTION MANUAL	5
UK	Бездротовий шурупверт із автоматичним подаванням	ІНСТРУКЦІЯ З ЕКСПЛУАТАЦІЇ	10
PL	Akumulatorowa wkrętarka z magazyniem	INSTRUKCJA OBSŁUGI	16
RO	Mașină de înșurubat cu alimentare automată cu acumulator	MANUAL DE INSTRUCȚIUNI	22
DE	Akku-Schnellbau-Magazin-Schrauber	BEDIENUNGSANLEITUNG	27
HU	Akkumulátoros önetető csavarbehajtó	HASZNÁLATI KÉZIKÖNYV	33
SK	Akumulátorový skrutkovač s automatickým podávaním	NÁVOD NA OBSLUHU	38
CS	Akumulátorový zásobníkový šroubovák	NÁVOD K OBSLUZE	43

DFR540
DFR550
DFR750



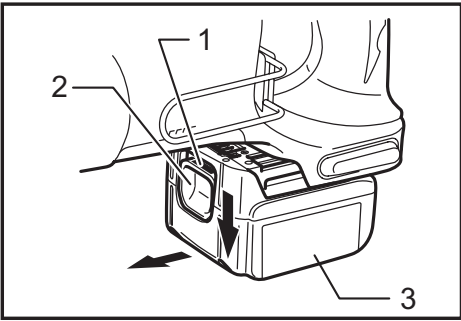


Fig.1

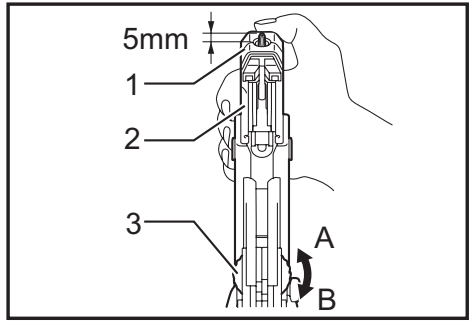


Fig.5

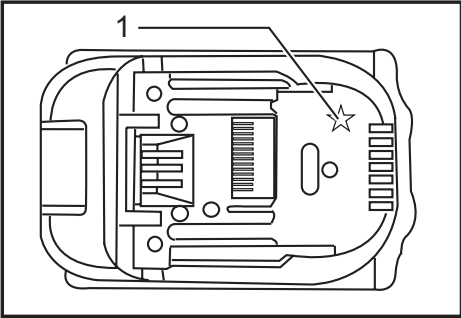


Fig.2

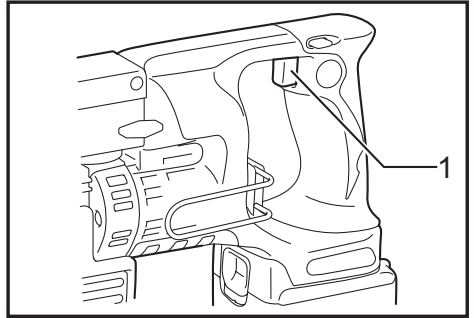


Fig.6

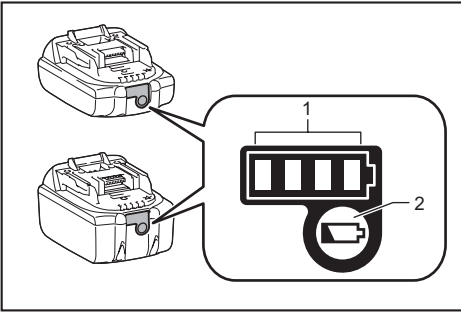


Fig.3

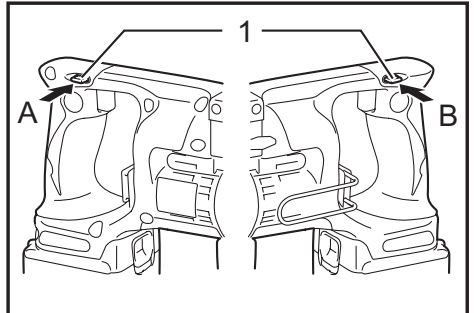


Fig.7

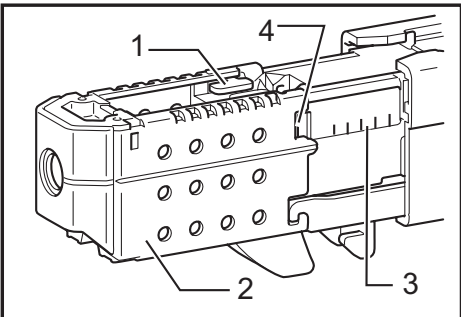


Fig.4

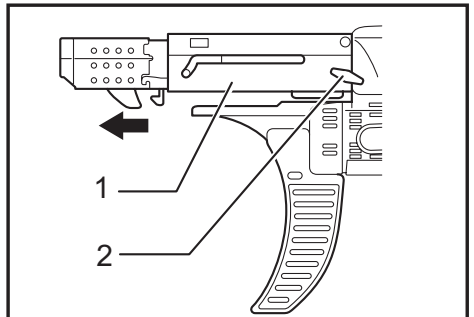


Fig.8

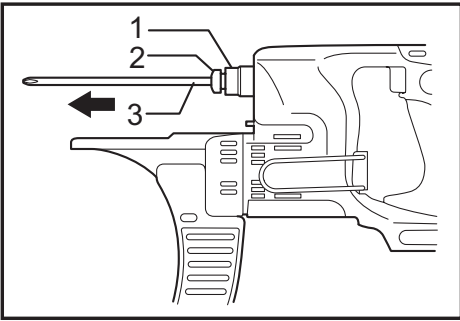


Fig.9

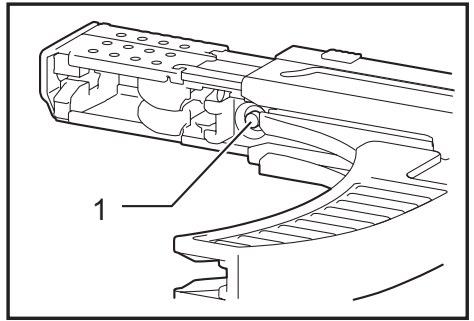


Fig.13

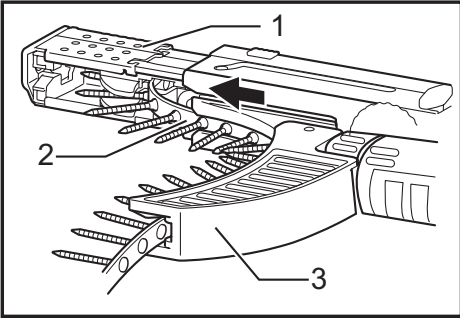


Fig.10

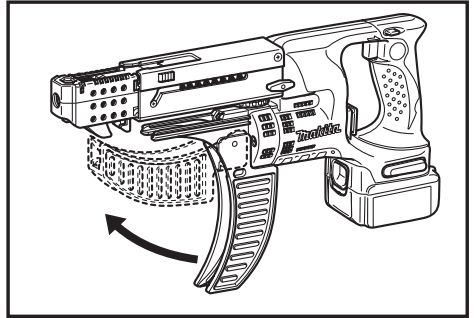


Fig.14

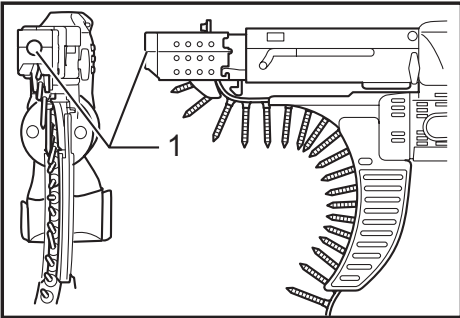


Fig.11

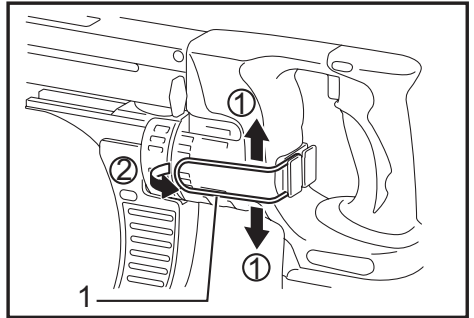


Fig.15

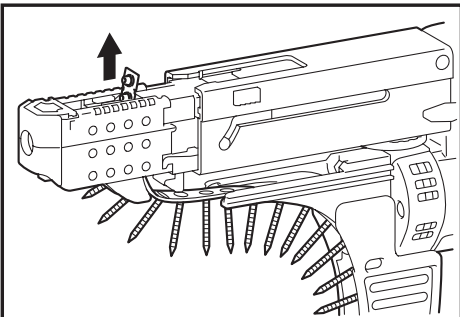


Fig.12

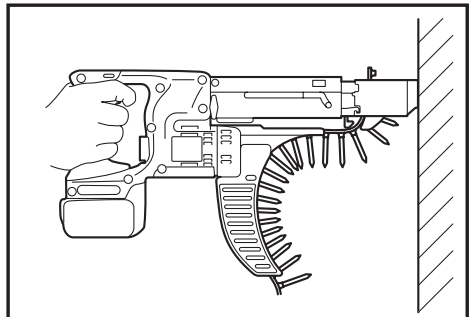


Fig.16

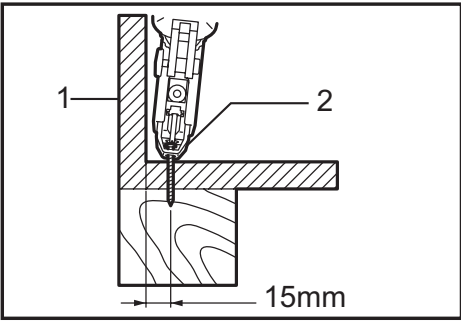


Fig.17

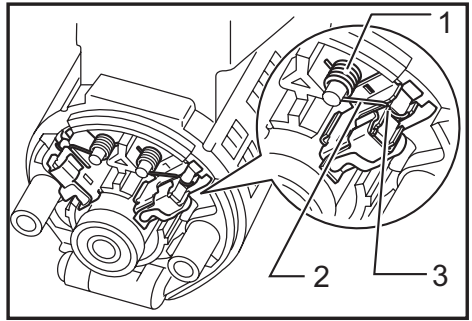


Fig.21

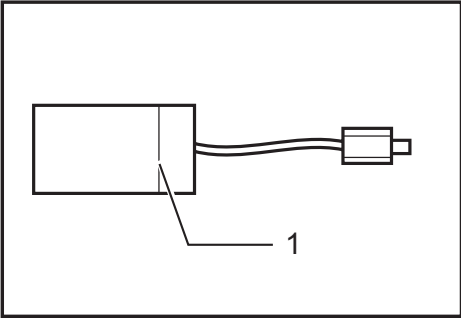


Fig.18

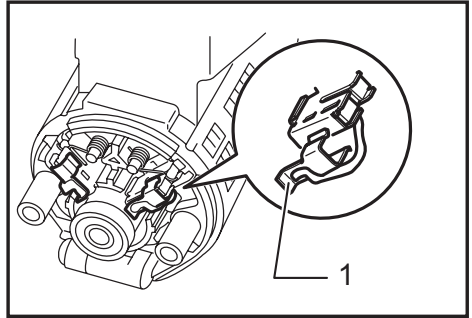


Fig.22

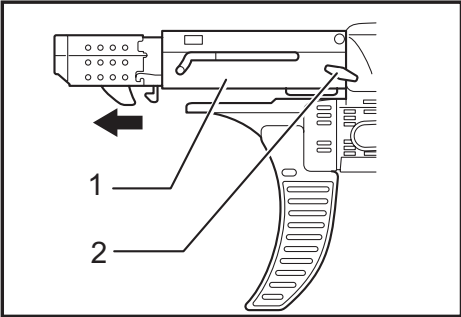


Fig.19

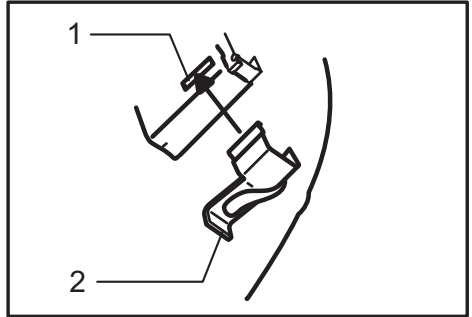


Fig.23

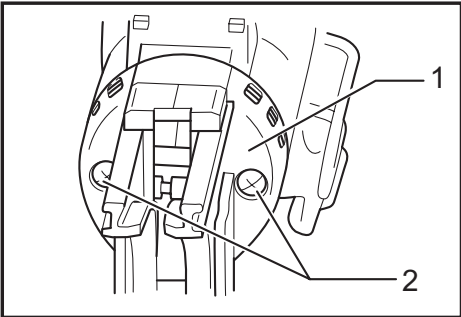


Fig.20

SPECIFICATIONS

Model	DFR540	DFR550	DFR750
Screw strip	4 x 25 - 55 mm		4 x 45 - 75 mm
No load speed (min ⁻¹)	4,000		
Overall length	424 mm		464 mm
Net weight	2.0 - 3.0 kg	2.1 - 3.1 kg	2.1 - 3.2 kg
Rated voltage	D.C. 14.4 V	D.C. 18 V	D.C. 18 V

- Due to our continuing program of research and development, the specifications herein are subject to change without notice.
- Specifications may differ from country to country.
- The weight may differ depending on the attachment(s), including the battery cartridge. The lightest and heaviest combination, according to EPTA-Procedure 01/2014, are shown in the table.

Applicable battery cartridge and charger

Battery cartridge	D.C.14.4 V Model	BL1415N / BL1430 / BL1430B / BL1440 / BL1450 / BL1460B
	D.C.18 V Model	BL1815N / BL1820 / BL1820B / BL1830 / BL1830B / BL1840 / BL1840B / BL1850 / BL1850B / BL1860B
Charger		DC18RC / DC18RD / DC18RE / DC18SD / DC18SE / DC18SF

- Some of the battery cartridges and chargers listed above may not be available depending on your region of residence.

⚠ WARNING: Only use the battery cartridges and chargers listed above. Use of any other battery cartridges and chargers may cause injury and/or fire.

Intended use

The tool is intended for screw driving in wood, metal and plastic.

Noise

The typical A-weighted noise level determined according to EN62841:

Model DFR540

Sound pressure level (L_{pA}): 77 dB (A)

Uncertainty (K): 3 dB (A)

The noise level under working may exceed 80 dB (A).

Model DFR550

Sound pressure level (L_{pA}): 78 dB (A)

Uncertainty (K): 3 dB (A)

The noise level under working may exceed 80 dB (A).

Model DFR750

Sound pressure level (L_{pA}): 76 dB (A)

Uncertainty (K): 3 dB (A)

The noise level under working may exceed 80 dB (A).

Wear ear protection

Vibration

The vibration total value (tri-axial vector sum) determined according to EN62841:

Work mode: screwdriving without impact

Vibration emission (a_h): 2.5 m/s² or less

Uncertainty (K): 1.5 m/s²

NOTE: The declared vibration emission value has been measured in accordance with the standard test method and may be used for comparing one tool with another.

NOTE: The declared vibration emission value may also be used in a preliminary assessment of exposure.

⚠ WARNING: The vibration emission during actual use of the power tool can differ from the declared emission value depending on the ways in which the tool is used.

⚠ WARNING: Be sure to identify safety measures to protect the operator that are based on an estimation of exposure in the actual conditions of use (taking account of all parts of the operating cycle such as the times when the tool is switched off and when it is running idle in addition to the trigger time).

EC Declaration of Conformity

For European countries only

The EC declaration of conformity is included as Annex A to this instruction manual.

General power tool safety warnings

⚠️ WARNING: Read all safety warnings, instructions, illustrations and specifications provided with this power tool. Failure to follow all instructions listed below may result in electric shock, fire and/or serious injury.

Save all warnings and instructions for future reference.

The term "power tool" in the warnings refers to your mains-operated (corded) power tool or battery-operated (cordless) power tool.

Cordless screwdriver safety warnings

1. Hold the power tool by insulated gripping surfaces, when performing an operation where the fastener may contact hidden wiring. Fasteners contacting a "live" wire may make exposed metal parts of the power tool "live" and could give the operator an electric shock.
2. Always be sure you have a firm footing. Be sure no one is below when using the tool in high locations.
3. Hold the tool firmly.
4. Keep hands away from rotating parts.
5. Do not touch the bit or the workpiece immediately after operation; they may be extremely hot and could burn your skin.
6. Always secure workpiece in a vise or similar hold-down device.

SAVE THESE INSTRUCTIONS.

⚠️ WARNING: DO NOT let comfort or familiarity with product (gained from repeated use) replace strict adherence to safety rules for the subject product.

MISUSE or failure to follow the safety rules stated in this instruction manual may cause serious personal injury.

Important safety instructions for battery cartridge

1. Before using battery cartridge, read all instructions and cautionary markings on (1) battery charger, (2) battery, and (3) product using battery.
2. Do not disassemble battery cartridge.
3. If operating time has become excessively shorter, stop operating immediately. It may result in a risk of overheating, possible burns and even an explosion.
4. If electrolyte gets into your eyes, rinse them out with clear water and seek medical attention right away. It may result in loss of your eyesight.

5. Do not short the battery cartridge:
 - (1) Do not touch the terminals with any conductive material.
 - (2) Avoid storing battery cartridge in a container with other metal objects such as nails, coins, etc.
 - (3) Do not expose battery cartridge to water or rain.

A battery short can cause a large current flow, overheating, possible burns and even a breakdown.
6. Do not store the tool and battery cartridge in locations where the temperature may reach or exceed 50 °C (122 °F).
7. Do not incinerate the battery cartridge even if it is severely damaged or is completely worn out. The battery cartridge can explode in a fire.
8. Be careful not to drop or strike battery.
9. Do not use a damaged battery.
10. The contained lithium-ion batteries are subject to the Dangerous Goods Legislation requirements.

For commercial transports e.g. by third parties, forwarding agents, special requirement on packaging and labeling must be observed. For preparation of the item being shipped, consulting an expert for hazardous material is required. Please also observe possibly more detailed national regulations.
Tape or mask off open contacts and pack up the battery in such a manner that it cannot move around in the packaging.
11. Follow your local regulations relating to disposal of battery.
12. Use the batteries only with the products specified by Makita. Installing the batteries to non-compliant products may result in a fire, excessive heat, explosion, or leak of electrolyte.

SAVE THESE INSTRUCTIONS.

⚠️ CAUTION: Only use genuine Makita batteries. Use of non-genuine Makita batteries, or batteries that have been altered, may result in the battery bursting causing fires, personal injury and damage. It will also void the Makita warranty for the Makita tool and charger.

Tips for maintaining maximum battery life

1. Charge the battery cartridge before completely discharged. Always stop tool operation and charge the battery cartridge when you notice less tool power.
2. Never recharge a fully charged battery cartridge. Overcharging shortens the battery service life.
3. Charge the battery cartridge with room temperature at 10 °C - 40 °C (50 °F - 104 °F). Let a hot battery cartridge cool down before charging it.
4. Charge the battery cartridge if you do not use it for a long period (more than six months).

FUNCTIONAL DESCRIPTION

CAUTION:

- Always be sure that the tool is switched off and the battery cartridge is removed before adjusting or checking function on the tool.

Installing or removing battery cartridge

► Fig.1: 1. Red indicator 2. Button 3. Battery cartridge

- Always switch off the tool before installing or removing of the battery cartridge.
- To remove the battery cartridge, slide it from the tool while sliding the button on the front of the cartridge.
- To install the battery cartridge, align the tongue on the battery cartridge with the groove in the housing and slip it into place. Always insert it all the way until it locks in place with a little click. If you can see the red indicator on the upper side of the button, it is not locked completely. Install it fully until the red indicator cannot be seen. If not, it may accidentally fall out of the tool, causing injury to you or someone around you.
- Do not use force when installing the battery cartridge. If the cartridge does not slide in easily, it is not being inserted correctly.

Battery protection system (Lithium-ion battery with star marking)

► Fig.2: 1. Star marking

Lithium-ion batteries with a star marking are equipped with a protection system. This system automatically cuts off power to the tool to extend battery life.

The tool will automatically stop during operation if the tool and/or battery are placed under one of the following conditions:

- Overloaded:**
The tool is operated in a manner that causes it to draw an abnormally high current. In this situation, release the trigger switch on the tool and stop the application that caused the tool to become overloaded. Then pull the trigger switch again to restart. If the tool does not start, the battery is overheated. In this situation, let the battery cool before pulling the trigger switch again.
- Low battery voltage:**
The remaining battery capacity is too low and the tool will not operate. In this situation, remove and recharge the battery.

Indicating the remaining battery capacity

Only for battery cartridges with the indicator

► Fig.3: 1. Indicator lamps 2. Check button

Press the check button on the battery cartridge to indicate the remaining battery capacity. The indicator lamps light up for a few seconds.

Indicator lamps			Remaining capacity
Lighted	Off	Blinking	
■ ■ ■ ■			75% to 100%
■ ■ ■ □			50% to 75%
■ ■ □ □			25% to 50%
■ □ □ □			0% to 25%
▣ □ □ □			Charge the battery.
■ ■ □ □			The battery may have malfunctioned.
□ □ ■ ■			

NOTE: Depending on the conditions of use and the ambient temperature, the indication may differ slightly from the actual capacity.

Setting for desired screw length

► Fig.4: 1. Lever 2. Stopper base 3. Label on feeder box 4. Fenestella

There are 7 positive-lock screw length settings. To obtain the desired setting, pull out the stopper base while depressing the lever until you see the number of the desired screw length (indicated on the label on feeder box) appear to rest in the fenestella of stopper base. See the table below for the relation between the number indicated on the label on feeder box and the respective screw length.

For Models DFR540, DFR550

Number indicated on the label	Screw length
25	25 mm
30	30 mm
35	35 mm
40	40 mm
45	45 mm
50	50 mm
55	55 mm

For Model DFR750

Number indicated on the label	Screw length
45	45 mm
50	50 mm
55	55 mm
60	60 mm
65	65 mm
70	70 mm
75	75 mm

Adjusting the driving depth

► **Fig.5:** 1. Stopper base 2. Casing 3. Adjusting knob

Depress the stopper base as far as it will go. While keeping it in this position, turn the adjusting knob until the bit tip projects approx. 5 mm from the stopper base. Drive a trial screw. If the screw head projects above the surface of the workpiece, turn the adjusting knob in the "A" direction; if the screw head is counter-sunk, turn the adjusting knob in the "B" direction.

Switch action

► **Fig.6:** 1. Switch trigger

⚠ CAUTION:

- Before inserting the battery cartridge into the tool, always check to see that the switch trigger actuates properly and returns to the "OFF" position when released.

To start the tool, simply pull the switch trigger. Release the switch trigger to stop.

Reversing switch action

► **Fig.7:** 1. Reversing switch lever

This tool has a reversing switch to change the direction of rotation. Depress the reversing switch lever from the A side for clockwise rotation or from the B side for counterclockwise rotation.

When the reversing switch lever is in the neutral position, the switch trigger cannot be pulled.

⚠ CAUTION:

- Always check the direction of rotation before operation.
- Use the reversing switch only after the tool comes to a complete stop. Changing the direction of rotation before the tool stops may damage the tool.
- When not operating the tool, always set the reversing switch lever to the neutral position.

ASSEMBLY

⚠ CAUTION:

- Always be sure that the tool is switched off and the battery cartridge is removed before carrying out any work on the tool.

Installing or removing the bit

Loosen the thumb screws which secure the casing. Pull out the casing in the direction of the arrow.

► **Fig.8:** 1. Casing 2. Thumb screw

Press the dust cover toward the plane bearing and pull out the bit. If the dust cover cannot be moved as far as the plane bearing, try it again after turning the bit slightly.

To install the bit, insert it into the socket while turning it slightly. After installing, always make sure that the bit is securely held in place by trying to pull it out.

► **Fig.9:** 1. Plane bearing 2. Dust cover 3. Bit

Installing screw strip

Insert the screw strip through the screw guide. Then insert it through the feeder box until the first screw reaches the position next to the driving position.

► **Fig.10:** 1. Feeder box 2. Screw strip 3. Screw guide

► **Fig.11:** 1. Driving position

Removing screw strip

To remove the screw strip, just pull it out in the direction of the arrow. If you depress the reverse button, you can pull out the screw strip in the reverse direction of the arrow.

► **Fig.12**

► **Fig.13:** 1. Reverse button

Folding screw guide

► **Fig.14**

Screw guide is foldable. Folding the screw guide allows space used for storage to be minimal.

Carry hook

The carry hook is convenient for temporarily hooking the tool. It can be installed on either side of the tool. When removing the carry hook, widen it by pressing its right ends ON BOTH SIDES in the directions of arrow (1) and raise it in the direction of the arrow (2).

► **Fig.15:** 1. Hook

OPERATION

Driving operation

► Fig.16

Switch on the tool by pulling the switch trigger. Hold the tool squarely and firmly up against the driving surface. A screw will be automatically carried to the driving position and fastened.

▲ CAUTION:

- Always check the bit carefully for wear before driving operations. Replace a worn bit or poor fastening may result.
- Always hold the tool squarely against the driving surface. Holding it at an angle may damage the screw heads and cause wear on the bit. This may also lead to poor fastening.
- Always keep the tool firmly against the driving surface until the driving is over. Failure to do so may cause insufficient fastening of screws.
- Be careful not to drive a screw onto another screw already fastened.
- Do not operate the tool without screws. It will damage the driving surface.
- Do not apply oil or grease on the sliding surface of the feeder box.

Driving in corner

► Fig.17: 1. Wall 2. Stopper base

This tool can be used to drive at a position 15 mm away from the wall as shown in the figure.

▲ CAUTION:

- Driving at a position closer than 15 mm to the wall or driving with the stopper base in contact with the wall may damage the screw heads and cause wear on the bit. This may also lead to poor fastening of screws and malfunction of the tool.

MAINTENANCE

▲ CAUTION:

- Always be sure that the tool is switched off and the battery cartridge is removed before attempting to perform inspection or maintenance.
- Never use gasoline, benzene, thinner, alcohol or the like. Discoloration, deformation or cracks may result.

Replacing carbon brushes

► Fig.18: 1. Limit mark

Replace when they wear down to the limit mark. Keep the carbon brushes clean and free to slip in the holders. Both carbon brushes should be replaced at the same time. Use only identical carbon brushes.

Loosen the thumb screws which secure the casing. Pull out the casing in the direction of the arrow.

► Fig.19: 1. Casing 2. Thumb screw

Use a screwdriver to remove two screws then remove the front cover.

► Fig.20: 1. Front cover 2. Screws

Raise the arm part of the spring and then place it in the recessed part of the housing with a slotted bit screwdriver of slender shaft or the like.

► Fig.21: 1. Spring 2. Arm 3. Recessed part

Use pliers to remove the carbon brush caps of the carbon brushes. Take out the worn carbon brushes, insert the new ones and replace the carbon brush caps in reverse.

► Fig.22: 1. Carbon brush cap

Make sure that the carbon brush caps have fit into the holes in brush holders securely.

► Fig.23: 1. Hole 2. Carbon brush cap

Reinstall the front cover and tighten two screws securely.

To maintain product SAFETY and RELIABILITY, repairs, any other maintenance or adjustment should be performed by Makita Authorized Service Centers, always using Makita replacement parts.

OPTIONAL ACCESSORIES

▲ CAUTION:

- These accessories or attachments are recommended for use with your Makita tool specified in this manual. The use of any other accessories or attachments might present a risk of injury to persons. Only use accessory or attachment for its stated purpose.

If you need any assistance for more details regarding these accessories, ask your local Makita Service Center.

- Drywall screw strip
- Phillips bit
- Various type of Makita genuine batteries and chargers
- Plastic carrying case

NOTE:

- Some items in the list may be included in the tool package as standard accessories. They may differ from country to country.

ТЕХНІЧНІ ХАРАКТЕРИСТИКИ

Модель	DFR540	DFR550	DFR750
Стрічка з гвинтами	4 x 25 - 55 мм		4 x 45 - 75 мм
Швидкість без навантаження (хв. ⁻¹)	4000		
Загальна довжина	424 мм		464 мм
Чиста вага	2,0 - 3,0 кг	2,1 - 3,1 кг	2,1 - 3,2 кг
Номінальна напруга	14,4 В пост. струму	18 В пост. струму	18 В пост. струму

- Оскільки наша програма наукових досліджень і розробок триває безперервно, наведені тут технічні характеристики можуть бути змінені без попередження.
- У різних країнах технічні характеристики можуть бути різними.
- Вага може відрізнятись залежно від допоміжного обладнання, наприклад касети з акумулятором. Найлегші та найважчі комплекти, відповідно до стандарту ЕРТА (Європейська асоціація виробників електронінструменту) від січня 01/2014 року, представлено в таблиці.

Застосовна касета з акумулятором і зарядний пристрій

Касета з акумулятором	Модель 14,4 В пост. тока	BL1415N / BL1430 / BL1430B / BL1440 / BL1450 / BL1460B
	Модель 18 В пост. тока	BL1815N / BL1820 / BL1820B / BL1830 / BL1830B / BL1840 / BL1840B / BL1850 / BL1850B / BL1860B
Зарядний пристрій	DC18RC / DC18RD / DC18RE / DC18SD / DC18SE / DC18SF	

- Деякі касети з акумулятором і зарядні пристрої, які вказано вище, можуть бути недоступними залежно від вашого регіону або місця перебування.

⚠ ПОПЕРЕДЖЕННЯ: Використовуйте лише касети з акумулятором і зарядні пристрої, перелічені вище. Використання будь-яких інших касет з акумулятором і зарядних пристроїв може призвести до травмивання й/або пожежі.

Призначення

Інструмент призначено для укрупчування гвинтів у деревину, пластмасу та метал.

Шум

Рівень шуму за шкалою А у типовому виконанні, визначений відповідно до EN62841:

Модель DFR540

Рівень звукового тиску (L_{pA}): 77 дБ (А)

Похибка (К): 3 дБ (А)

Рівень шуму під час роботи може перевищувати 80 дБ (А).

Модель DFR550

Рівень звукового тиску (L_{pA}): 78 дБ (А)

Похибка (К): 3 дБ (А)

Рівень шуму під час роботи може перевищувати 80 дБ (А).

Модель DFR750

Рівень звукового тиску (L_{pA}): 76 дБ (А)

Похибка (К): 3 дБ (А)

Рівень шуму під час роботи може перевищувати 80 дБ (А).

Користуйтеся засобами захисту слуху

Вібрація

Загальна величина вібрації (сума трьох векторів) визначена згідно з EN62841:

Режим роботи: загвинчування без ударної дії.

Вібрація (a_h): 2,5 м/с² або менше

Похибка (К): 1,5 м/с²

ПРИМІТКА: Заявлене значення вібрації було виміряно у відповідності до стандартних методів тестування та може використовуватися для порівняння одного інструмента з іншим.

ПРИМІТКА: Заявлене значення вібрації може також використовуватися для попередньої оцінки впливу.

⚠ ПОПЕРЕДЖЕННЯ: Залежно від умов використання вібрація під час фактичної роботи інструмента може відрізнятись від заявленого значення вібрації.

⚠ ПОПЕРЕДЖЕННЯ: Забезпечте належні запобіжні заходи для захисту оператора, що відповідатимуть умовам використання інструмента (слід брати до уваги всі складові робочого циклу, такі як час, коли інструмент вимкнено та коли він починає працювати на холостому ході під час запуску).

Декларація про відповідність стандартам ЄС

Тільки для країн Європи

Декларацію про відповідність стандартам ЄС наведено в Додатку А до цієї інструкції з експлуатації.

Загальні застереження щодо техніки безпеки при роботі з електроінструментами

▲ ПОПЕРЕДЖЕННЯ: Уважно ознайомтеся з усіма попередженнями про дотримання правил техніки безпеки, інструкціями, ілюстраціями та технічними характеристиками, що стосуються цього електроінструмента. Невиконання будь-яких інструкцій, перелічених нижче, може призвести до ураження електричним струмом, пожежі та/або тяжких травм.

Збережіть усі інструкції з техніки безпеки та експлуатації на майбутнє.

Термін «електроінструмент», зазначений у інструкції з техніки безпеки, стосується електроінструмента, який функціонує від електромережі (електроінструмент з кабелем живлення), або електроінструмента з живленням від батареї (безпроводний електроінструмент).

Попередження про небезпеку під час роботи з бездротовим шурупвертом

1. Тримайте електроприлад за ізольовані поверхні держака під час виконання дії, за якої кріпильний виріб може зачепити сховану проводку. Торкання кріпильною деталлю дроту під напругою може призвести до передавання напруги до оголених металевих частин інструмента та до ураження оператора електричним струмом.
2. Обов'язково забезпечте надійну опору. При виконанні робіт з інструментом на висоті переконайтеся, що внизу нікого немає.
3. Тримайте інструмент міцно.
4. Не наближайте руки до деталей, що обертаються.
5. Не торкайтеся свердла або оброблюваної деталі одразу після різання; вони можуть бути дуже гарячими, і це може призвести до опіку шкіри.
6. Оброблювану деталь обов'язково необхідно затискати в лещатах або подібному пристрої фіксації.

ЗБЕРІГАЙТЕ ЦІ ВКАЗІВКИ.

▲ ПОПЕРЕДЖЕННЯ: НІКОЛИ НЕ втрачайте пильності та не розслабляйтеся під час користування виробом (що можливо при частому користуванні); обов'язково строго дотримуйтеся відповідних правил безпеки.

НЕНАЛЕЖНЕ ВИКОРИСТАННЯ або недотримання правил техніки безпеки, викладених у цій інструкції з експлуатації, може призвести до серйозних травм.

Важливі інструкції з безпеки для касети з акумулятором

1. Перед тим як користуватися касетою з акумулятором, слід прочитати всі інструкції та застережні знаки щодо (1) зарядного пристрою акумулятора, (2) акумулятора та (3) виробів, що працюють від акумулятора.
2. Не слід розбирати касету з акумулятором.
3. Якщо період роботи дуже покортшав, слід негайно припинити користування. Це може призвести до виникнення ризику перегріву, опіку та навіть вибуху.
4. У разі потрапляння електроліту в очі слід промити їх чистою водою та негайно звернутися до лікаря. Це може призвести до втрати зору.
5. Не закоротіть касету з акумулятором.
 - (1) Не слід торкатися клем будь-яким струмопровідним матеріалом.
 - (2) Не слід зберігати касету з акумулятором у ємності з іншими металевими предметами, такими як цвяхи, монети тощо.
 - (3) Не залишайте касету з акумулятором під дощем, запобігайте контакту з водою.

Коротке замикання може призвести до появи значного струму, перегріву, можливих опіків та навіть виходу з ладу.

6. Не слід зберігати інструмент та касету з акумулятором в місцях, де температура може сягнути чи перевищити 50°C (122°F).
7. Не слід спалювати касету з акумулятором, навіть якщо вона була неодноразово пошкоджена або повністю спрацьована. Касета з акумулятором може вибухнути у вогні.
8. Не слід кидати або ударяти акумулятор.
9. Не слід використовувати пошкоджений акумулятор.
10. Літій-іонні акумулятори, що містяться в інструменті, мають відповідати вимогам законів про небезпечні товари.

Під час транспортування за допомогою комерційних перевезень, наприклад із залученням третьої сторони та експедиторів, необхідно дотримуватись особливих вимог, вказаних на пакуванні й у маркуванні.

Під час підготовки позиції до відправлення необхідно проконсультуватись зі спеціалістом з небезпечних матеріалів. Крім того, слід виконувати більш докладні національні настанови, якщо такі є.

Заклейте відкриті контакти стрічкою або заховайте їх і запакуйте акумулятор таким чином, щоб він не міг рухатися в пакуванні.
11. Дотримуйтеся норм місцевого законодавства щодо утилізації акумуляторів.

12. Використовуйте акумулятори лише з виробами, указаними компанією Makita. Установлення акумуляторів у невідповідні виробу може призвести до пожежі, надмірного нагрівання, вибуху чи витоку електроліту.

ЗБЕРІГАЙТЕ ЦІ ВКАЗІВКИ.

⚠ОБЕРЕЖНО: Використовуйте тільки акумулятори Makita. Використання акумуляторів, інших ніж оригінальні акумулятори Makita, або акумуляторів, конструкцію яких було змінено, може призвести до вибуху акумулятора і спричинити пожежу, травму або пошкодження. У зв'язку з цим також буде анульовано гарантію Makita на інструмент Makita і на зарядний пристрій.

Поради з забезпечення максимального строку експлуатації акумулятора

1. Касету з акумулятором слід заряджати до того, як він розрядиться повністю. Завжди слід зупиняти роботу інструмента та зарядити акумулятор, якщо ви помітили зменшення потужності інструмента.
2. Ніколи не слід заряджати повторно повністю заряджену касету з акумулятором. Перезарядження скорочує строк експлуатації акумулятора.
3. Заряджайте касету з акумулятором при кімнатній температурі 10°C—40°C (50°F—104°F). Перед тим як заряджати касету з акумулятором, слід зачекати, доки вона охолоне.
4. Якщо касета з акумулятором не використовувалася тривалий час (понад шість місяців), її слід зарядити.

ІНСТРУКЦІЯ З ВИКОРИСТАННЯ

⚠ОБЕРЕЖНО:

- Завжди перевіряйте, щоб прилад був вимкнений, а касета з акумулятором була знята, перед регулюванням або перевіркою функціонування інструмента.

Встановлення та зняття касети з акумулятором

- **Рис.1:** 1. Червоний індикатор 2. Кнопка 3. Касета з акумулятором
- Завжди вимикайте інструмент перед встановленням або зніманням касети з акумулятором.
 - Щоб зняти касету з акумулятором, слід витягнути її з інструмента, натиснувши на кнопку в передній частині касети.
 - Щоб вставити касету з акумулятором, слід сумістити шпонку касети з акумулятором із пазом в корпусі та вставити касету. Завжди вставляйте її до клацання. Якщо на верхній частині кнопки видно червоний індикатор, це означає, що вона заблокована неповністю. Вставляйте касету повністю, аж поки червоний індикатор стане невидимим. Якщо цього не зробити, то касета може випадково випасти з інструмента та спричинити травми вам або людям, що знаходяться поряд.
 - Не застосовуйте силу, вставляючи касету з акумулятором. Якщо касета не вставляється легко, то це означає, що ви її невірні вставляєте.

Система захисту акумулятора (літій-іонний акумулятор з маркувальною зірочкою)

- **Рис.2:** 1. Маркувальна зірочка

Літій-іонні акумулятори з маркувальною зірочкою оснащені системою захисту. Ця система автоматично вимикає живлення інструмента з метою збільшення робочого часу акумулятора.

Інструмент буде автоматично вимкнений під час роботи, якщо він та/або акумулятор знаходяться в таких умовах:

- **Перенавантаження:**
Інструмент споживає струм занадто високої потужності під час роботи.
У такому разі відпустіть курковий перемикач інструмента та зупиніть роботу, яка призвела до перенавантаження інструмента. Потім натисніть на курковий перемикач, щоб знову запустити інструмент. Якщо інструмент неможливо запустити, це означає, що акумулятор перегрівся. У такому разі дайте акумулятору охолонути, перш ніж знову натиснути на курковий перемикач.
- **Низька напруга акумулятора:**
Залишковий заряд акумулятора занадто низький, тому інструмент не буде працювати. У такому разі зніміть та зарядіть акумулятор.

Відображення залишкового заряду акумулятора

Тільки для касет з акумулятором, які мають індикатори

► **Рис.3:** 1. Індикаторні лампи 2. Кнопка перевірки

Натисніть кнопку перевірки на касеті з акумулятором для відображення залишкового ресурсу акумулятора. Індикаторні лампи загоряться на кілька секунд.

Індикаторні лампи			Залишковий ресурс
Горить	Вимк.	Блимає	
■	□	▧	від 75 до 100%
■ ■ ■ ■	□ □ □ □		
■ ■ ■	□ □ □		від 50 до 75%
■ ■	□ □ □ □		від 25 до 50%
■	□ □ □ □		від 0 до 25%
▧	□ □ □ □		Зарядіть акумулятор.
■ ■ □ □	□ □ □ □		Можливо, акумулятор вийшов з ладу.
□ □ ■ ■	□ □ □ □	↑ ↓	

ПРИМІТКА: Залежно від умов використання та температури оточуючого середовища показання можуть незначним чином відрізнятися від дійсного ресурсу.

Налаштування на необхідну довжину гвинта

► **Рис.4:** 1. Важіль 2. Основа стопора 3. Табличка на коробці фідера 4. Оглядове віконце

Є 7 положень примусової фіксації налаштування довжини гвинта. Для отримання необхідного налаштування слід витягувати основу стопора, натискаючи на важіль, доки на верхньому краї корпусу не з'явиться необхідна довжина гвинта (вказана на табличці коробки фідера). Співвідношення між вказаним на планці номером та відповідною довжиною гвинта - див. наведену нижче таблицю.

Для моделей DFR540, DFR550

Номер вказаний на табличці	Довжина гвинта
25	25 мм
30	30 мм
35	35 мм
40	40 мм
45	45 мм
50	50 мм
55	55 мм

Для моделі DFR750

Номер вказаний на табличці	Довжина гвинта
45	45 мм
50	50 мм
55	55 мм
60	60 мм
65	65 мм
70	70 мм
75	75 мм

Регулювання глибини вгвинчування

► **Рис.5:** 1. Основа стопора 2. Корпус 3. Ручка регулювання

Натисніть на основу стопора до упору. Залишаючи його в такому положенні, поверніть ручку регулювання доки наконечник на виступатиме приблизно на 5 мм від основи стопора. Вверніть пробний гвинт. Якщо голівка гвинта виступає над поверхню деталі, слід повернути ручку регулювання в напрямку "А", якщо голівка занадто занурена, ручку регулювання слід повернути в напрямку "В".

Дія вмикача

► **Рис.6:** 1. Курковий вмикач

⚠ ОБЕРЕЖНО:

- Перед тим, як вставляти касету з акумулятором в інструмент, слід перевірити належну роботу курка вмикача, тобто щоб він повертався у положення "ВИМК.", коли його відпускають.

Для того, щоб запустити інструмент, слід просто натиснути на курок вмикача. Для зупинення роботи курок слід відпустити.

Дія вмикача зворотного ходу

► **Рис.7:** 1. Важіль перемикача реверсу

Інструмент обладнаний перемикачем зворотного ходу для зміни напрямку обертання. Для обертання по годинниковій стрілці важіль-перемикач слід пересунути в положення "А", проти годинникової стрілки - в положення "В".

Коли важіль-перемикач поставлений в нейтральне положення, курок не може бути натиснутий.

⚠ ОБЕРЕЖНО:

- Перед початком роботи слід завжди перевіряти напрямок обертання.
- Перемикач зворотного ходу можна використовувати тільки після повної зупинки інструмента. Зміна напрямку обертання до повної зупинки інструмента може його пошкодити.
- Коли інструмент не використовується, важіль-перемикач повинен знаходитись в нейтральному положенні.

КОМПЛЕКТУВАННЯ

⚠ ОБЕРЕЖНО:

- Завжди перевіряйте, щоб прилад був вимкнений, а касета з акумулятором була знята, перед тим, як проводити будь-які роботи на інструменті.

Встановлення та зняття наконечників

Послабте смушкові гвинти, якими кріпиться корпус. Із силою потягніть корпус у напрямку, що вказаний стрілкою.

► **Рис.8:** 1. Корпус 2. Гвинт з накатаною головкою

Натисніть на пілозахисну кришку у напрямку підшипника ковзання, та витягніть наконечник. Якщо пілозахисна кришка не рухається до підшипника, слід спробувати зробити це ще раз, злегка прокрутивши наконечник.

Для встановлення наконечника його слід вставити в рознімання, злегка повертаючи його. Після встановлення слід перевірити, щоб наконечник був надійно вставлений, спробувавши витягнути його.

► **Рис.9:** 1. Підшипник ковзання 2. Пілозахисна кришка 3. Свердло

Встановлення стрічки з гвинтами

Вставте стрічку з гвинтами через напрямну. Потім вставте його через коробку фідера, доки перший гвинт не досягне положення близького до положення вгвинчування.

► **Рис.10:** 1. Коробка фідера 2. Стрічка з гвинтами 3. Напрямна гвинта

► **Рис.11:** 1. Положення загвинчування

Зняття стрічки з гвинтами

Для зняття стрічки із гвинтами її слід просто витягнути у напрямку стрілки. Якщо натиснути на кнопку зворотного ходу, стрічку з гвинтами можна витягнути в напрямку протилежному стрілці.

► **Рис.12**

► **Рис.13:** 1. Кнопка зворотного ходу

Складання гвинтової напрямної

► **Рис.14**

Гвинтова напрямна складається. Складання гвинтової напрямної дозволяє мінімізувати простір для зберігання.

Гак для перенесення.

Гак для перенесення є зручним для тимчасового підвішування інструмента. Його можна встановлювати на будь-якій стороні інструмента.

Знімаючи гак для перенесення, його слід розширити, натиснувши на його праві краї З ОБОХ СТОРІН у напрямку стрілки (1) та підняти його в напрямку стрілки (2).

► **Рис.15:** 1. Скоба

ЗАСТОСУВАННЯ

Операція вгвинчування

► **Рис.16**

Увімкніть інструмент, натиснувши на курок вмикача. Інструмент слід міцно тримати під прямим кутом до поверхні вгвинчування. Гвинт буде автоматично встановлений в положення вгвинчування та вгвинчений.

⚠ ОБЕРЕЖНО:

- Слід завжди уважно перевіряти наконечник перед роботою. Слід замінювати зношений наконечник, або це може призвести до слабкого кріплення.
- Слід завжди тримати інструмент під прямим кутом до робочої поверхні. Якщо тримати інструмент під іншим кутом, це може призвести до пошкодження голівок гвинтів та зношення наконечника. Це може також призвести до поганої якості затягування.
- Слід завжди міцно тримати інструмент відносно робочої поверхні, доки не закінчиться вгвинчування. Якщо цього не зробити, це може призвести до недостатнього затягування гвинтів.
- Слід бути обережним, щоб не навернути гвинт на вже угвинчений гвинт.
- Неможна запускати інструмент без гвинтів. Це пошкодить робочу поверхню.
- Заборонено наносити мастило на пересувну частину коробки фідера.

Вгвинчування в кут.

► **Рис.17:** 1. Стіна 2. Основа стопора

Цей інструмент можна використовувати для вгвинчування у положенні на відстані 15 мм від стіни, як показано на малюнку.

⚠ ОБЕРЕЖНО:

- Вгвинчування у положенні, ближчому ніж 15 мм від стіни, або вгвинчування, коли основа стопора торкається стіни, може призвести до пошкодження голівок гвинтів та зношення наконечників. Це може також призвести до поганого затягування гвинтів та невірної роботи інструмента.

ТЕХНІЧНЕ ОБСЛУГОВУВАННЯ

⚠ ОБЕРЕЖНО:

- Завжди перевіряйте, щоб прилад був вимкнений, а касета з акумулятором була знята, перед проведенням перевірки або обслуговування.
- Ніколи не використовуйте газолін, бензин, розріджувач, спирт та подібні речовини. Їх використання може призвести до зміни кольору, деформації та появи тріщин.

Заміна вугільних щіток

► Рис.18: 1. Обмежувальна відмітка

У разі зносу до обмежувачої мітки, провести заміну. Графітові щітки слід тримати чистими та незаблокованими, щоб вони могли заходити в держак. Обидві графітові щітки слід замінити разом. Можна використовувати тільки такі ж щітки. Послабте смушкові гвинти, якими кріпиться корпус. Із силою потягніть корпус у напрямку, що вказаний стрілкою.

► Рис.19: 1. Корпус 2. Гвинт з накатаною головкою
Витягніть два гвинта за допомогою викрутки, а потім зніміть передню кришку.

► Рис.20: 1. Титульний лист 2. Гвинти

Підніміть плече пружини, а потім вставте його в поглиблення на корпусі за допомогою викрутки із шліцованим наконечником та прямим черешком або подібного інструмента.

► Рис.21: 1. Пружина 2. Плече 3. Заглиблена частина

Для того, щоб зняти ковпачки графітових щіток, використовуйте плоскогубці. Витягніть зношені графітові щітки, вставте нові та замінити ковпачки графітової щітки у зворотному порядку.

► Рис.22: 1. Ковпачок графітової щітки

Перевірте, щоб ковпачки графітової щітки надійно увійшли в отвори держаків щіток.

► Рис.23: 1. Отвір 2. Ковпачок графітової щітки

Поставте на місце передню кришку та надійно затягніть обидва гвинти.

Для того, щоб підтримувати БЕЗПЕКУ та НАДІЙНІСТЬ, ремонт, технічне обслуговування або регулювання мають виконувати уповноважені центри обслуговування "Макіта", де використовуються лише стандартні запчастини "Макіта".

ДОДАТКОВЕ ПРИЛАДДЯ

⚠ ОБЕРЕЖНО:

- Це оснащення або приладдя рекомендовано для використання з інструментами "Макіта", що описані в інструкції з експлуатації. Використання якогось іншого оснащення або приладдя може спричинити травмування. Оснащення або приладдя слід використовувати лише за призначенням.

У разі необхідності, отримати допомогу в більш детальному ознайомленні з оснащенням звертайтеся до місцевого Сервісного центру "Макіта".

- Гвинт для штукатурки
- Свердло Phillips
- Різні типи оригінальних акумуляторів та зарядних пристроїв виробництва компанії Makita
- Пластмасова валіза для транспортування

ПРИМІТКА:

- Деякі елементи списку можуть входити до комплекту інструмента як стандартне приладдя. Вони можуть відрізнятись залежно від країни.

SPECYFIKACJE

Model	DFR540	DFR550	DFR750
Taśma z wkrętami	4 x 25 - 55 mm		4 x 45 - 75 mm
Prędkość bez obciążenia (min ⁻¹)	4 000		
Długość całkowita	424 mm		464 mm
Ciężar netto	2,0 - 3,0 kg	2,1 - 3,1 kg	2,1 - 3,2 kg
Napięcie znamionowe	Prąd stały 14,4 V	Prąd stały 18 V	Prąd stały 18 V

- W związku ze stale prowadzonym przez naszą firmę programem badawczo-rozwojowym niniejsze dane mogą ulec zmianom bez wcześniejszego powiadomienia.
- Dane techniczne mogą różnić się w zależności od kraju.
- Masa może być różna w zależności od osprzętu, w tym akumulatora. W tabeli przedstawiona jest najlżejsza i najcięższa konfiguracja, zgodnie z procedurą EPTA 01/2014.

Kompatybilne akumulatory i ładowarki

Akumulator	Model 14,4 V, prąd stały	BL1415N / BL1430 / BL1430B / BL1440 / BL1450 / BL1460B
	Model 18 V, prąd stały	BL1815N / BL1820 / BL1820B / BL1830 / BL1830B / BL1840 / BL1840B / BL1850 / BL1850B / BL1860B
Ładowarka		DC18RC / DC18RD / DC18RE / DC18SD / DC18SE / DC18SF

- Pewne z wymienionych powyżej akumulatorów i ładowarek mogą być niedostępne w regionie zamieszkania użytkownika.

⚠ OSTRZEŻENIE: Należy używać wyłącznie akumulatorów i ładowarek wymienionych powyżej.

Używanie innych akumulatorów i ładowarek może stwarzać ryzyko wystąpienia obrażeń ciała lub pożaru.

Przeznaczenie

Narzędzie przeznaczone jest do osadzania wkrętów w drewnie, metalu i tworzywach sztucznych.

Poziom hałasu i drgań

Typowy równoważny poziom dźwięku A określony w oparciu o EN62841:

Model DFR540

Poziom ciśnienia akustycznego (L_{pA}): 77 dB (A)

Niepewność (K): 3 dB (A)

Poziom hałasu podczas pracy może przekraczać 80 dB (A).

Model DFR550

Poziom ciśnienia akustycznego (L_{pA}): 78 dB (A)

Niepewność (K): 3 dB (A)

Poziom hałasu podczas pracy może przekraczać 80 dB (A).

Model DFR750

Poziom ciśnienia akustycznego (L_{pA}): 76 dB (A)

Niepewność (K): 3 dB (A)

Poziom hałasu podczas pracy może przekraczać 80 dB (A).

Należy stosować ochraniacze na uszy

Drgania

Całkowita wartość poziomu drgań (suma wektorów w 3 osiach) określona zgodnie z normą EN62841:

Tryb pracy: wkręcanie bez udu

Emisja drgań (a_h): 2,5 m/s² lub mniej

Niepewność (K): 1,5 m/s²

WSKAZÓWKA: Deklarowana wartość wytwarzanych drgań została zmierzona zgodnie ze standardową metodą testową i można ją wykorzystywać do porównywania narzędzi.

WSKAZÓWKA: Deklarowaną wartość wytwarzanych drgań można także wykorzystać we wstępnej ocenie narażenia.

⚠ OSTRZEŻENIE: Drgania wytwarzane podczas rzeczywistego użytkowania elektronarzędzia mogą się różnić od wartości deklarowanej, w zależności od sposobu jego użytkowania.

⚠ OSTRZEŻENIE: W oparciu o szacowane narażenie w rzeczywistych warunkach użytkowania należy określić środki bezpieczeństwa w celu ochrony operatora (uwzględniając wszystkie elementy cyklu działania, tj. czas, kiedy narzędzie jest wyłączone i kiedy pracuje na biegu jałowym, a także czas, kiedy jest włączone).

Deklaracja zgodności WE

Dotyczy tylko krajów europejskich

Deklaracja zgodności WE jest dołączona jako załącznik A do niniejszej instrukcji obsługi.

Ogólne zasady bezpiecznej eksploatacji elektronarzędzi

⚠️ OSTRZEŻENIE: Należy zapoznać się z ostrzeżeniami dotyczącymi bezpieczeństwa, instrukcjami, ilustracjami i danymi technicznymi dołączonymi do tego elektronarzędzia. Niezastosowanie się do podanych poniżej instrukcji może prowadzić do porażenia prądem, pożaru i/lub poważnych obrażeń ciała.

Wszystkie ostrzeżenia i instrukcje należy zachować do wykorzystania w przyszłości.

Pojęcie „elektonarzędzie”, występujące w wymienionych tu ostrzeżeniach, odnosi się do elektronarzędzia zasilanego z sieci elektrycznej (z przewodem zasilającym) lub do elektronarzędzia akumulatorowego (bez przewodu zasilającego).

Ostrzeżenia dotyczące bezpieczeństwa dla wkrętarki bezprzewodowej

1. Trzymać elektronarzędzie za izolowane powierzchnie rękojeści podczas wykonywania prac, przy których element łączny może dotknąć niewidocznej instalacji elektrycznej. Zetknięcie elementów złącznych z przewodem elektrycznym znajdującym się pod napięciem spowoduje, że odsłonięte elementy metalowe narzędzia również znajdą się pod napięciem, grożąc porażeniem operatora prądem elektrycznym.
2. Podczas pracy należy zadbać o stabilne oparcie dla nóg.
W przypadku pracy na wysokości upewnić się, że na dole nie przebywają żadne osoby.
3. Narzędzie należy trzymać mocno i pewnie.
4. Trzymać ręce z dala od części obrotowych.
5. Nie dotykać wiertła ani części obrabianej od razu po zakończeniu danej operacji; mogą one być bardzo gorące i spowodować oparzenie skóry.
6. Element obrabiany należy zawsze mocować w imadle lub podobnym uchwycie.

ZACHOWAĆ NINIEJSZE INSTRUKCJE.

⚠️ OSTRZEŻENIE: NIE WOLNO pozwolić, aby wygoda lub rutyna (nabyta w wyniku wielokrotnego używania urządzenia) zastąpiły ściśle przestrzeganie zasad bezpieczeństwa obsługi.

NIEWŁAŚCIWE UŻYTKOWANIE narzędzia lub niestosowanie się do zasad bezpieczeństwa podanych w niniejszej instrukcji obsługi może prowadzić do poważnych obrażeń ciała.

Ważne zasady bezpieczeństwa dotyczące akumulatora

1. Przed użyciem akumulatora zapoznać się ze wszystkimi instrukcjami i znakami ostrzegawczymi na (1) ładowarce, (2) akumulatorze i (3) produkcie, w którym będzie używany akumulator.
2. Akumulatora nie wolno rozbiierać.
3. Jeśli czas działania uległ znacznemu skróceniu, należy natychmiast przerwać pracę. Może bowiem dojść do przegrzania, ewentualnych poparzeń, a nawet eksplozji.
4. W przypadku przedostania się elektrolitu do oczu, przemyć je czystą wodą i niezwłocznie uzyskać pomoc lekarską. Może on bowiem spowodować utratę wzroku.
5. Nie doprowadzać do zwarcia akumulatora:
 - (1) Nie dotykać styków materiałami przewodzącymi prąd.
 - (2) Unikać przechowywania akumulatora w pojemniku z metalowymi przedmiotami, takimi jak gwoździe, monety itp.
 - (3) Chronić akumulator przed deszczem lub wodą.Zwarcie prowadzi do przepływu prądu elektrycznego o dużym natężeniu i przegrzania akumulatora, co w konsekwencji może grozić poparzeniami a nawet awarią urządzenia.
6. Narzędzia i akumulatora nie wolno przechowywać w miejscach, w których temperatura osiąga bądź przekracza 50°C (122°F).
7. Akumulatorów nie wolno spalać, również tych poważnie uszkodzonych lub całkowicie zużytych. Akumulator może eksplodować w ogniu.
8. Chronić akumulator przed upadkiem i uderzeniami.
9. Nie wolno używać uszkodzonego akumulatora.
10. Stanowić wyposażenie akumulatory litowo-jonowe podlegają przepisom dotyczącym produktów niebezpiecznych.
Na potrzeby transportu komercyjnego, np. świadczony przez firmy trzecie czy spedycyjne, należy przestrzegać specjalnych wymagań w zakresie pakowania i oznaczania etykietami. Przygotowanie produktu do wysyłki wymaga skonsultowania się ze specjalistą ds. materiałów niebezpiecznych. Należy także przestrzegać przepisów krajowych, które mogą być bardziej szczegółowe.
Zakleić taśmą lub zaślepić otwarte styki akumulatora oraz zabezpieczyć go, aby nie mógł się przesuwać w opakowaniu.
11. Postępować zgodnie z przepisami lokalnymi dotyczącymi usuwania akumulatorów.
12. Używać akumulatorów tylko z produktami określonymi przez firmę Makita. Zastosowanie akumulatorów w niezgodnych produktach może spowodować pożar, przegrzanie, wybuch lub wyciek elektrolitu.

ZACHOWAĆ NINIEJSZE INSTRUKCJE.

▲PRZESTROGA: Używać wyłącznie oryginalnych akumulatorów firmy Makita. Używanie nieoryginalnych akumulatorów firm innych niż Makita lub akumulatorów, które zostały zmodyfikowane, może spowodować wybuch akumulatora i pożar, obrażenia ciała oraz zniszczenie mienia. Stanowi to również naruszenie warunków gwarancji firmy Makita dotyczących narzędzia i ładowarki.

Wskazówki dotyczące zachowania maksymalnej trwałości akumulatora

1. Akumulator należy naładować zanim zostanie do końca rozładowany. Po zauważeniu spadku mocy narzędzia należy przerwać pracę i naładować akumulator.
2. Nie wolno ładować powtórnie w pełni naładowanego akumulatora. Przeładowanie akumulatora skraca jego trwałość.
3. Akumulator należy ładować w temperaturze pokojowej w przedziale 10–40°C (50–104°F). W przypadku gorącego akumulatora przed przystąpieniem do ładowania należy poczekać, aż ostygnie.
4. Akumulatory niklo-wodorkowe należy naładować po okresie długiego nieużytkowania (dłuższego niż sześć miesięcy).

OPIS DZIAŁANIA

▲PRZESTROGA:

- Przed przystąpieniem do regulacji lub przeglądu narzędzia upewnić się, czy jest ono wyłączone i czy został wyjęty akumulator.

Wkładanie i wyjmowanie akumulatora

► **Rys.1:** 1. Czerwony wskaźnik 2. Przycisk 3. Akumulator

- Przed montażem lub demontażem akumulatora należy wyłączać narzędzie.
- Aby wyjąć akumulator, należy przesunąć przycisk znajdujący się w przedniej jego części i wysunąć akumulator.
- Aby włożyć akumulator, wystarczy wyrównać występ na akumulatorze z rowkiem w obudowie i wsunąć go na swoje miejsce. Akumulator należy wsuwać do oporu, aż się zablokuje, co jest sygnalizowane delikatnym kliknięciem. Jeśli jest widoczny czerwony element w górnej części przycisku, akumulator nie został całkowicie zablokowany. Należy go zamontować całkowicie, tak aby czerwony element przestał być widoczny. W przeciwnym razie może przypadkowo wypaść z narzędzia, raniąc operatora lub osoby postronne.
- Przy montażu akumulatora nie wolno używać siły. Jeśli akumulator nie daje się swobodnie wsunąć, prawdopodobnie został włożony nieprawidłowo.

System ochrony akumulatora (akumulator litowo-jonowy ze znakiem gwiazdki)

► **Rys.2:** 1. Znak gwiazdki

Akumulatory litowo-jonowe ze znakiem gwiazdki posiadają w system ochrony. System ten automatycznie odcina dopływ prądu do narzędzia w celu wydłużenia żywotności akumulatora.

Narzędzie zostanie automatycznie zatrzymane podczas pracy w następujących sytuacjach związanych z narzędziem/akumulatorem:

- **Przeciążenie:**
Narzędzie pracuje w sposób przyczyniający się do niezwykle wysokiego wzrostu napięcia. W takiej sytuacji należy zwolnić język spustowy narzędzia i zatrzymać wykonywaną pracę, która doprowadziła do przeciążenia narzędzia. Następnie pociągnąć język spustowy w celu ponownego uruchomienia narzędzia.
Jeżeli narzędzie nie włączy się, akumulator uległ przegrzaniu. W takiej sytuacji należy poczekać, aż akumulator ostygnie przed ponownym pociągnięciem za język spustowy.
- **Niskie napięcie akumulatora:**
Za niski poziom naładowania akumulatora, aby narzędzie mogło pracować. W takiej sytuacji należy wyjąć akumulator i go naładować.

Wskazanie stanu naładowania akumulatora

Tylko w przypadku akumulatorów ze wskaźnikiem

► **Rys.3:** 1. Lampki wskaźnika 2. Przycisk kontrolny

Nacisnąć przycisk kontrolny na akumulatorze w celu wyświetlenia stanu naładowania akumulatora. Lampki wskaźnika zaświecą się przez kilka sekund.

Lampki wskaźnika			Pozostała energia akumulatora
Świeci się	Wyłączony	Miga	
■	□	▬	75–100%
■	■	■	
■	■	□	
■	□	□	
■	□	□	25–50%
■	□	□	0–25%
▬	□	□	Naładować akumulator.
■	■	□	Akumulator może nie działać poprawnie.
□	□	■	

WSKAZÓWKA: Zależnie od warunków użytkowania i temperatury otoczenia, wskazywany poziom może nieznacznie się różnić od rzeczywistego stanu naładowania akumulatora.

Ustawianie wybranej długości śruby

► **Rys.4:** 1. Dźwignia 2. Podstawa oporowa 3. Naklejka na ramce podajnika 4. Okienko

Jest 7 ustawień długości wkrętów z wymuszoną blokadą. Aby ustawić wybraną długość, należy przy wciśniętej dźwigni ciągnąć za podstawę oporową, aż w okienku podstawy oporowej pojawi się numer odpowiadający wybranej długości wkrętów (wskazany na naklejce na ramce podajnika). W poniższej tabeli podano zależność pomiędzy numerem podanym na naklejce a odpowiadającą mu długością wkrętów.

W przypadku modeli DFR540, DFR550

Numer podany na naklejce	Długość wkrętów
25	25 mm
30	30 mm
35	35 mm
40	40 mm
45	45 mm
50	50 mm
55	55 mm

W przypadku modelu DFR750

Numer podany na naklejce	Długość wkrętów
45	45 mm
50	50 mm
55	55 mm
60	60 mm
65	65 mm
70	70 mm
75	75 mm

Regulacja głębokości wkręcania

► **Rys.5:** 1. Podstawa oporowa 2. Obudowa 3. Pokrętko regulacyjne

Wcisnąć do oporu podstawę oporową. Przytrzymując ją w tym położeniu, obracać pokrętkę regulacyjną tak długo, aż długość wystającej poza podstawę oporową części końcówki wyniesie ok. 5 mm. Osadzić próbnie jeden wkręt. Jeżeli łeb wkrętu wystaje ponad powierzchnię materiału, należy obrócić pokrętkę regulacyjną w kierunku oznaczonym literą "A". Jeżeli z kolei łeb wchodzi zbyt głęboko w materiał, należy obrócić pokrętkę regulacyjną w kierunku oznaczonym literą "B".

Włączanie

► **Rys.6:** 1. Spust przełącznika

▲ PRZESTROGA:

- Przed włożeniem akumulatora do narzędzia zawsze sprawdź, czy język spustowy wyłącznika działa prawidłowo i po zwolnieniu powraca do położenia „OFF”.

Aby uruchomić narzędzie, należy pociągnąć za język spustowy przełącznika. W celu zatrzymania urządzenia wystarczy zwolnić język spustowy przełącznika.

Włączanie obrotów wstecznych

► **Rys.7:** 1. Dźwignia przełącznika obrotów wstecznych

Omawiane narzędzie jest wyposażone w przełącznik umożliwiający zmianę kierunku obrotów. W celu uzyskania obrotów zgodnych z ruchem wskazówek zegara należy nacisnąć dźwignię przełącznika zmiany kierunku obrotów po stronie A, natomiast by uzyskać obroty przeciwnie do ruchu wskazówek zegara, wystarczy nacisnąć dźwignię przełącznika po stronie B. Gdy dźwignia przełącznika zmiany kierunku obrotów znajduje się w położeniu neutralnym, język spustowy przełącznika jest zablokowany.

▲ PRZESTROGA:

- Przed uruchomieniem narzędzia należy zawsze sprawdzić ustawienie kierunku obrotów.
- Kierunek obrotów można zmieniać tylko wówczas, gdy urządzenie całkowicie się zatrzyma. Zmiana kierunku obrotów przed zatrzymaniem się narzędzia grozi jego uszkodzeniem.
- Gdy narzędzie nie będzie używane, należy zawsze ustawić dźwignię przełącznika zmiany kierunku obrotów w położeniu neutralnym.

MONTAŻ

PRZESTROGA:

- Przed przystąpieniem do jakichkolwiek czynności związanych z obsługą narzędzia należy koniecznie upewnić się, czy jest ono wyłączone i czy akumulator został wyjęty.

Montaż lub demontaż końcówki

Poluzować śruby motylkowe mocujące obudowę. Ściągnąć obudowę w kierunku strzałki.

► **Rys.8:** 1. Obudowa 2. Śruba skrzydełkowa

Docisnąć osłonę przeciwpylową do łożyska płaskiego i wyciągnąć końcówkę. Jeżeli nie można dosunąć osłony przeciwpylowej aż do łożyska płaskiego, należy obrócić lekko końcówkę i spróbować ponownie.

Aby zamontować końcówkę, należy wsunąć ją do gniazda, równocześnie lekko ją obracając. Po zainstalowaniu należy koniecznie upewnić się, czy wiertło jest prawidłowo zablokowane, próbując je wyciągnąć.

► **Rys.9:** 1. Łożysko płaskie 2. Osłona przeciwpylowa 3. Wiertło

Wkładanie taśmy z wkrętami

Przełożyć taśmę z wkrętami przez prowadnicę wkrętów. Następnie wsunąć ją do ramki podajnika, aż pierwszy wkręt znajdzie się w pozycji sąsiadującej z pozycją wkręcania.

► **Rys.10:** 1. Ramka podajnika 2. Taśma z wkrętami 3. Prowadnica wkrętów

► **Rys.11:** 1. Pozycja wkręcania

Wyciąganie taśmy z wkrętami

Aby wyciągnąć taśmę, wystarczy za nią pociągnąć w kierunku wskazywanym przez strzałkę. Jeżeli zostanie wciśnięty przycisk zmiany kierunku, wówczas taśmę z wkrętami można wysunąć w kierunku przeciwnym niż wskazuje strzałka.

► **Rys.12**

► **Rys.13:** 1. Przycisk zmiany kierunku

Składanie prowadnicy wkrętów

► **Rys.14**

Prowadnica wkrętów jest składana. Aby zaoszczędzić miejsce, narzędzie można przechowywać ze złożoną prowadnicą wkrętów.

Zaczep

Zaczep jest wygodny, aby na chwilę zawiesić narzędzie. Można go zainstalować po dowolnej stronie narzędzia.

Aby zdemontować zaczep, wystarczy rozszerzyć go naciskając właściwe końcówki PO OBU STRONACH w kierunku strzałki (1), a następnie ciągnąc w kierunku strzałki (2).

► **Rys.15:** 1. Hak

DZIAŁANIE

Operacja wkręcania

► **Rys.16**

Uruchomić narzędzie, ciągnąc za język spustowy przełącznika. Narzędzie należy trzymać prosto, dociskając je mocno do powierzchni materiału. Wkręt zostanie automatycznie przesunięty na pozycję wkręcania i osadzony.

PRZESTROGA:

- Przed przystąpieniem do wkręcania należy zawsze dokładnie skontrolować końcówkę pod kątem jej ewentualnego zużycia. Zużyta końcówkę trzeba wymienić, ponieważ w przeciwnym razie wkręty nie będą prawidłowo osadzane.
- Narzędzie należy trzymać prosto względem powierzchni materiału. Ustawianie narzędzia pod kątem może powodować uszkodzenie łoż wkrętów i zużywanie się końcówki. Może to również mieć prowadzić do słabego mocowania.
- Narzędzie należy dociskać mocno do powierzchni materiału, aż do momentu zakończenia operacji wkręcania. Niestosowanie się do tej zasady może powodować niedostatecznie mocne osadzenie wkrętów.
- Należy uważać, aby nie przeprowadzać operacji wkręcania w miejscu, w którym już wcześniej został osadzony wkręt.
- Nie wolno uruchamiać narzędzia bez wkrętów. Spowoduje to uszkodzenie powierzchni materiału.
- Na powierzchnię ślizgu ramki podajnika nie wolno nakładać oleju ani smaru.

Wkręcanie w narożniku

► **Rys.17:** 1. Ściana 2. Podstawa oporowa

Omawiane narzędzie pozwala osadzać wkręty w minimalnej odległości 15 mm od ściany zgodnie z rysunkiem.

PRZESTROGA:

- Osadzanie wkrętów w odległości mniejszej niż 15 mm od ściany lub w pozycji, w której podstawa oporowa styka się ze ścianą, może być przyczyną uszkodzenia łoż wkrętów i zużywania się końcówki. Może to również prowadzić do słabego mocowania i nieprawidłowej pracy narzędzia.

KONSERWACJA

PRZESTROGA:

- Przed przystąpieniem do przeglądu narzędzia lub jego konserwacji upewnić się, czy jest ono wyłączone i czy akumulator został wyjęty.
- Nie wolno używać benzyny, benzenu, rozpuszczalnika, alkoholu itp. Substancje takie mogą spowodować odbarwienia, odkształcenia lub pęknięcia.

Wymiana szczotek węglowych

► Rys.18: 1. Znak ograniczenia

Potrzebę wymiany szczotek sygnalizuje znak granicy zużycia. Szczotki węglowe powinny być czyste, aby można je było swobodnie wsunąć do opraw. Obie szczotki węglowe wymieniać równocześnie. Używać wyłącznie identycznych szczotek węglowych. Poluzować śruby motylkowe mocujące obudowę. Ściągnąć obudowę w kierunku strzałki.

► Rys.19: 1. Obudowa 2. Śruba skrzydełkowa

Za pomocą śrubokręta wykręcić dwa wkręty, następnie ściągnąć osłonę czołową.

► Rys.20: 1. Osłona czołowa 2. Wkręty

Korzystając z cienkiego śrubokręta płaskiego lub podobnego przyrządu unieść ramię sprężyny, a następnie wsunąć je w gniazdo w obudowie.

► Rys.21: 1. Sprężyna 2. Ramię 3. Gniazdo

Używając szczypiec ściągnąć nasadki szczotek węglowych. Wyjąć zużyte szczotki węglowe, wsadzić nowe i ponownie założyć nasadki szczotek, wykonując czynności w odwrotnej kolejności.

► Rys.22: 1. Nasadka szczotki węglowej

Należy upewnić się, czy nasadki szczotek węglowych dobrze tkwią w otworach uchwytów szczotek.

► Rys.23: 1. Otwór 2. Nasadka szczotki węglowej

Zamontować ponownie osłonę czołową, a następnie dobrze dokręcić oba wkręty.

Dla zachowania BEZPIECZEŃSTWA i NIEZAWODNOŚCI wyrobu, naprawy oraz inne prace konserwacyjne i regulacyjne powinny być wykonywane przez Autoryzowane Centra Serwisowe Makita, wyłącznie przy użyciu części zamiennych Makita.

AKCESORIA OPCJONALNE

PRZESTROGA:

- Zaleca się stosowanie wymienionych akcesoriów i dodatków razem z elektronarzędziem Makita opisanym w niniejszej instrukcji. Stosowanie jakichkolwiek innych akcesoriów i dodatków może stanowić ryzyko uszkodzenia ciała. Stosować akcesoria i dodatki w celach wyłącznie zgodnych z ich przeznaczeniem.

W razie potrzeby, wszelkiej pomocy i szczegółowych informacji na temat niniejszych akcesoriów udzieli Państwu lokalne Centra Serwisowe Makita.

- Taśmy z wkrętami do montażu płyt kartonowo-gipsowych
- Końcówka krzyżowa
- Różne typy oryginalnych akumulatorów i ładowarek marki Makita
- Walizka z tworzywa sztucznego

WSKAZÓWKA:

- Niektóre pozycje znajdujące się na liście mogą być dołączone do pakietu narzędziowego jako akcesoria standardowe. Mogą to być różne pozycje, w zależności od kraju.

SPECIFICAȚII

Model	DFR540	DFR550	DFR750
Bandă de șuruburi	4 x 25 - 55 mm		4 x 45 - 75 mm
Turație în gol (min ⁻¹)	4.000		
Lungime totală	424 mm		464 mm
Greutate netă	2,0 - 3,0 kg	2,1 - 3,1 kg	2,1 - 3,2 kg
Tensiune nominală	14,4 V cc.	18 V cc.	18 V cc.

- Datorită programului nostru continuu de cercetare și dezvoltare, specificațiile pot fi modificate fără o notificare prealabilă.
- Specificațiile pot varia în funcție de țară.
- Greutatea poate diferi în funcție de accesoriu(ii), inclusiv cartușul acumulatorului. În tabel se prezintă combinația cea mai ușoară și cea mai grea, conform Procedurii EPTA 01/2014.

Cartușul acumulatorului și încărcătorul aplicabile

Cartușul acumulatorului	Model de 14,4 V c.c.	BL1415N / BL1430 / BL1430B / BL1440 / BL1450 / BL1460B
	Model de 18 V c.c.	BL1815N / BL1820 / BL1820B / BL1830 / BL1830B / BL1840 / BL1840B / BL1850 / BL1850B / BL1860B
Încărcător		DC18RC / DC18RD / DC18RE / DC18SD / DC18SE / DC18SF

- Este posibil ca unele cartușe ale acumulatorilor și încărcătoare menționate mai sus să nu fie disponibile în funcție de regiunea dvs. de reședință.

⚠️ AVERTIZARE: Utilizați numai cartușele de acumulator și încărcătoarele enumerate mai sus. Utilizarea oricăror altor cartușe de acumulator și încărcătoare poate duce la rănire și/sau incendiu.

Destinația de utilizare

Mașina este destinată înșurubării în lemn, metal și plastic.

Emisie de zgomot

Nivelul de zgomot normal ponderat A determinat în conformitate cu EN62841:

Model DFR540

Nivel de presiune acustică (L_{pA}): 77 dB (A)

Marjă de eroare (K): 3 dB (A)

Nivelul de zgomot în timpul funcționării poate depăși 80 dB (A).

Model DFR550

Nivel de presiune acustică (L_{pA}): 78 dB (A)

Marjă de eroare (K): 3 dB (A)

Nivelul de zgomot în timpul funcționării poate depăși 80 dB (A).

Model DFR750

Nivel de presiune acustică (L_{pA}): 76 dB (A)

Marjă de eroare (K): 3 dB (A)

Nivelul de zgomot în timpul funcționării poate depăși 80 dB (A).

Purtați mijloace de protecție a auzului

Vibrații

Valoarea totală a vibrațiilor (suma vectorilor tri-axiali) determinată conform EN62841:

Mod de funcționare: înșurubare fără impact

Emisie de vibrații (a_{h1}): 2,5 m/s² sau mai puțin

Marjă de eroare (K): 1,5 m/s²

NOTĂ: Nivelul de vibrații declarat a fost măsurat în conformitate cu metoda de test standard și poate fi utilizat pentru compararea unei uneelte cu alta.

NOTĂ: Nivelul de vibrații declarat poate fi, de asemenea, utilizat într-o evaluare preliminară a expunerii.

⚠️ AVERTIZARE: Nivelul de vibrații în timpul utilizării reale a uneeltei electrice poate diferi de valoarea nivelului declarat, în funcție de modul în care unealta este utilizată.

⚠️ AVERTIZARE: Asigurați-vă că identificați măsurile de siguranță pentru a proteja operatorul, acestea fiind bazate pe o estimare a expunerii în condiții reale de utilizare (luând în considerare toate părțile ciclului de operare, precum timpii în care unealta a fost oprită, sau a funcționat în gol, pe lângă timpul de declanșare).

Declarație de conformitate CE

Numai pentru țările europene

Declarația de conformitate CE este inclusă ca Anexa A în acest manual de instrucțiuni.

Avertismente generale de siguranță pentru mașinile electrice

⚠️ AVERTIZARE: Citiți toate avertismentele privind siguranța, instrucțiunile, ilustrațiile și specificațiile furnizate cu această sculă electrică. Nerespectarea integrală a instrucțiunilor de mai jos poate cauza electrocutări, incendii și/sau vătămări corporale grave.

Păstrați toate avertismentele și instrucțiunile pentru consultări ulterioare.

Termenul „mașină electrică” din avertizări se referă la mașinile dumneavoastră electrice acționate de la rețea (prin cablu) sau cu acumulator (fără cablu).

Avertismente privind siguranța pentru mașina de înșurubat cu acumulator

1. **Țineți mașina electrică numai de suprafețele de prindere izolate atunci când efectuați o operațiune în care dispozitivul de fixare poate intra în contact cu fire ascunse.** Contactul organelor de asamblare cu un cablu aflat sub tensiune poate pune sub tensiune piesele metalice expuse ale mașinii electrice, conducând la electrocutarea operatorului.
2. **Păstrați-vă echilibrul. Asigurați-vă că nu se află nicio persoană dedesubt atunci când folosiți mașina la înălțime.**
3. **Țineți bine mașina.**
4. **Nu atingeți piesele în mișcare.**
5. **Nu atingeți capul de acționare sau piesa prelucrată imediat după executarea lucrării; acestea pot fi extrem de fierbinți și pot provoca arsuri ale pielii.**
6. **Piesa de prelucrat trebuie fixată întotdeauna cu o menghină sau cu un alt dispozitiv similar de fixare.**

PĂSTRAȚI ACESTE INSTRUCȚIUNI.

⚠️ AVERTIZARE: NU permiteți comodității și familiarizării cu produsul (obținute prin utilizare repetată) să înlocuiască respectarea strictă a normelor de securitate pentru acest produs.

FOLOSIREA INCORECTĂ sau nerespectarea normelor de securitate din acest manual de instrucțiuni poate provoca vătămări corporale grave.

Instrucțiuni importante privind siguranța pentru cartușul acumulatorului

1. **Înainte de a folosi cartușul acumulatorului, citiți toate instrucțiunile și atenționările de pe (1) încărcătorul acumulatorului, (2) acumulator și (3) produsul care folosește acumulatorul.**
2. **Nu dezmembrați cartușul acumulatorului.**
3. **Dacă timpul de funcționare s-a redus excesiv, întrerupeți imediat funcționarea. Aceasta poate prezenta risc de supraîncălzire, posibile arsuri și chiar explozie.**
4. **Dacă electrolitul pătrunde în ochi, clătiți bine ochii cu apă curată și consultați imediat un medic. Există risc de orbire.**

5. **Nu scurtcircuitați cartușul acumulatorului:**
 - (1) **Nu atingeți bornele cu niciun material conductor.**
 - (2) **Evitați depozitarea cartușului acumulatorului la un loc cu alte obiecte metalice cum ar fi cuie, monede etc.**
 - (3) **Nu expuneți cartușul acumulatorului la apă sau ploaie.**

Un scurtcircuit al acumulatorului poate provoca un flux puternic de curent electric, supraîncălzire, posibile arsuri și chiar defectarea mașinii.

6. **Nu depozitați mașina și cartușul acumulatorului în spații în care temperatura poate atinge sau depăși 50 °C (122 °F).**
7. **Nu incinerati cartușul acumulatorului chiar dacă acesta este grav deteriorat sau complet uzat. Cartușul acumulatorului poate exploda în foc.**
8. **Aveți grijă să nu scăpați sau să loviți acumulatorul.**
9. **Nu utilizați un acumulator deteriorat.**
10. **Acumulatorii Li-Ion încorporați se supun cerințelor Legislației privind substanțele periculoase.** Pentru transporturi comerciale, efectuate de exemplu de către părți terțe, expeditori, trebuie respectate cerințele speciale de ambalare și etichetare. Pentru pregătirea articolului care urmează să fie expediat, este necesară consultarea unui expert în materiale periculoase. Vă rugăm să respectați, de asemenea, reglementările naționale, care pot fi mai detaliate. Izolați sau acoperiți contactele deschise și împachetați acumulatorul în așa fel încât să nu se poată mișca în ambalaj.
11. **Respectați normele naționale privind eliminarea și deșeurii a acumulatorului.**
12. **Utilizați acumuloarele numai cu produsele specificate de Makita.** Instalarea acumuloarelor în produse neconforme poate cauza incendii, căldură excesivă, explozii sau scurgeri de electrolit.

PĂSTRAȚI ACESTE INSTRUCȚIUNI.

⚠️ ATENȚIE: Folosiți numai acumulatori Makita originali. Acumulatorii Makita care nu sunt originali și acumulatorii care au suferit modificări se pot aprinde, provocând incendii, leziuni corporale și daune. De asemenea, anulează garanția oferită de Makita pentru unele și încărcătorul Makita.

Sfaturi pentru obținerea unei durate maxime de exploatare a acumulatorului

1. **Încărcați cartușul acumulatorului înainte de a se descărca complet. Întrerupeți întotdeauna funcționarea mașinii și încărcați cartușul acumulatorului când observați o scădere a puterii mașinii.**
2. **Nu reîncărcați niciodată un acumulator complet încărcat. Supraîncărcarea va scurta durata de exploatare a acumulatorului.**
3. **Încărcați cartușul acumulatorului la temperatura camerei, între 10 °C - 40 °C (50 °F - 104 °F). Lăsați un acumulator fierbinte să se răcească înainte de a-l încărca.**
4. **Încărcați cartușul acumulatorului în cazul în care nu a fost utilizat pe o perioadă mai lungă (mai mult de șase luni).**

DESCRIERE FUNCȚIONALĂ

⚠️ ATENȚIE:

- Asigurați-vă întotdeauna că mașina este oprită și cartușul acumulatorului este scos înainte de a ajusta sau verifica funcționarea mașinii.

Instalarea sau scoaterea cartușului acumulatorului

► Fig.1: 1. Indicator roșu 2. Buton 3. Cartușul acumulatorului

- Opriti întotdeauna unealta înainte de montarea sau demontarea cartușului de acumulator.
- Pentru a scoate cartușul acumulatorului, glisați-l din unealtă în timp ce glisați butonul de pe partea frontală a cartușului.
- Pentru a instala cartușul acumulatorului, aliniați limba de pe cartușul acumulatorului cu canelura din carcasă și introduceți-l în locaș. Introduceți-l întotdeauna complet, până când se înclochetează în locaș. Dacă puteți vedea indicatorul roșu din partea superioară a butonului, acesta nu este blocat complet. Introduceți-l complet, până când indicatorul roșu nu mai este vizibil. În caz contrar, acesta poate cădea accidental din mașină provocând rănirea dumneavoastră sau a persoanelor din jur.
- Nu forțați montarea cartușului de acumulatori. Dacă acesta nu glisează ușor, înseamnă că a fost introdus incorect.

Sistem de protecție a acumulatorului (acumulator litiu-ion cu marcaj stea)

► Fig.2: 1. Marcaj în stea

Acumulatorii litiu-ion cu un marcaj stea sunt echipate cu un sistem de protecție. Acest sistem oprește automat alimentarea mașinii pentru a prelungi durata de viață a bateriei.

Mașina se va opri automat în timpul funcționării când mașina și/sau acumulatorul se află într-una din situațiile următoare.

- Suprasarcină:
 - Mașina este operată într-o manieră care determină atragerea unui curent de o intensitate anormal de ridicată.
 - În această situație, eliberați butonul declanșator al mașinii și opriti activitatea care a generat suprasarcina. Apoi trageți din nou butonul declanșator pentru a reporni mașina. Dacă mașina nu pornește, înseamnă că acumulatorul este supraîncălzit. În această situație, lăsați acumulatorul să se răcească înainte de a trage butonul declanșator din nou.
- Tensiune scăzută acumulator:
 - Capacitatea rămasă a bateriei este prea mică, iar mașina nu va funcționa. În această situație, scoateți și reîncărcați acumulatorul.

Indicarea capacității rămase a acumulatorului

Numai pentru cartușe de acumulator cu indicator

► Fig.3: 1. Lămpi indicatoare 2. Buton de verificare

Apăsăți butonul de verificare de pe cartușul acumulatorului, astfel încât să se indice capacitățile rămase ale acumulatorului. Lămpile indicatorului vor lumina timp de câteva secunde.

Lămpi indicatoare			Capacitate rămasă
Iluminat	Oprit	Iluminare intermitentă	
■ ■ ■ ■			între 75% și 100%
■ ■ ■ □			între 50% și 75%
■ ■ □ □			între 25% și 50%
■ □ □ □			între 0% și 25%
▬ □ □ □			Încărcați acumulatorul.
■ ■ □ □			Este posibil ca acumulatorul să fie defect.
□ □ ■ ■			

NOTĂ: În funcție de condițiile de utilizare și temperatura ambientală, indicația poate fi ușor diferită de capacitatea reală.

Reglarea pentru lungimea dorită a șurubului

► Fig.4: 1. Pârghie 2. Baza opritorului 3. Eticheta de pe caseta alimentatoare 4. Fereastră

Există 7 reglaje fixe pentru lungimea șurubului. Pentru a obține reglajul dorit, trageți afară baza opritorului în timp ce apăsați pârghia, până când vedeți că apare numărul corespunzător lungimii dorite a șurubului (indicat pe eticheta casetei alimentatorului) în fereastra bazei opritorului. Consultați tabelul de mai jos pentru a afla relația dintre numărul indicat pe eticheta casetei alimentatorului și lungimea corespunzătoare a șurubului.

Pentru modelele DFR540, DFR550

Numărul indicat pe etichetă	Lungimea șurubului
25	25 mm
30	30 mm
35	35 mm
40	40 mm
45	45 mm
50	50 mm
55	55 mm

Pentru modelul DFR750

Numărul indicat pe etichetă	Lungimea șurubului
45	45 mm
50	50 mm
55	55 mm
60	60 mm
65	65 mm
70	70 mm
75	75 mm

Reglarea adâncimii de înșurubare

- **Fig.5:** 1. Baza opritorului 2. Carcasă 3. Buton rotativ de reglare

Apăsați baza opritorului până la capăt. Menținând-o în această poziție, rotiți butonul rotativ de reglare până când vârful sculei iese cu circa 5 mm din baza opritorului. Înșurubați un șurub de probă. În cazul în care capul șurubului rămâne deasupra nivelului suprafeței piesei, rotiți butonul rotativ de reglare în direcția "A"; dacă, în schimb, capul șurubului este înecat excesiv, rotiți butonul rotativ de reglare în direcția "B".

Aționarea întrerupătorului

- **Fig.6:** 1. Declanșator întrerupător

⚠ATENȚIE:

- Înainte de a introduce cartușul acumulatorului în mașină, verificați întotdeauna dacă butonul declanșator funcționează corect și revine în poziția "OFF" (oprit) când este eliberat.

Pentru a porni mașina, apăsați pur și simplu butonul declanșator. Eliberați butonul declanșator pentru a opri mașina.

Funcționarea inversorului

- **Fig.7:** 1. Levier de inversor

Această mașină dispune de un comutator de inversare pentru schimbarea sensului de rotație. Apăsați pârghia comutatorului de inversare în poziția A pentru rotire în sens orar sau în poziția B pentru rotire în sens anti-orar. Când pârghia comutatorului de inversare se află în poziție neutră, butonul declanșator nu poate fi apăsat.

⚠ATENȚIE:

- Verificați întotdeauna sensul de rotație înainte de utilizare.
- Folosiți comutatorul de inversare numai după ce mașina s-a oprit complet. Schimbarea sensului de rotație înainte de oprirea mașinii poate avaria mașina.
- Atunci când nu folosiți mașina, deplasați întotdeauna pârghia comutatorului de inversare în poziția neutră.

MONTARE

⚠ATENȚIE:

- Asigurați-vă întotdeauna că mașina este oprită și cartușul acumulatorului este scos înainte de a executa orice lucrări la mașină.

Instalarea sau demontarea capului de înșurubare (bit)

Deșurubați șuruburile cu cap striat care fixează carcasa. Extrageți carcasa în direcția indicată de săgeată.

- **Fig.8:** 1. Carcasă 2. Șurub fluture

Apăsați capacul de protecție contra prafului către lagărul de alunecare și extrageți scula. În cazul în care capacul de protecție contra prafului nu poate fi deplasat până la lagărul de alunecare, încercați din nou după ce ați rotit ușor scula.

Pentru a instala scula, introduceți-o în portscula printr-o ușoară rotire. După instalare, asigurați-vă întotdeauna că scula este fixată ferm încercând să o trageți afară.

- **Fig.9:** 1. Lagăr de alunecare 2. Capac de protecție contra prafului 3. Cap de înșurubat

Instalarea benzii de șuruburi

Introduceți banda de șuruburi prin ghidajul șuruburilor. Apoi introduceți-o prin caseta alimentatoare până când primul șurub ajunge în poziția de lângă poziția de înșurubare.

- **Fig.10:** 1. Casetă alimentatoare 2. Bandă de șuruburi 3. Ghidajul șuruburilor

- **Fig.11:** 1. Poziție de înșurubare

Scoaterea benzii de șuruburi

Pentru a scoate banda de șuruburi, extrageți-o pur și simplu în direcția săgeții. Dacă apăsați butonul de inversare, puteți scoate banda de șuruburi în direcția opusă săgeții.

- **Fig.12**

- **Fig.13:** 1. Buton de inversare

Plierea ghidajului șuruburilor

- **Fig.14**

Ghidajul șuruburilor este pliabil. Plierea ghidajului șuruburilor permite reducerea la minim a spațiului folosit pentru depozitare.

Cârlig de transport

Cârligul de transport este util pentru agățarea temporară a mașinii. Acesta poate fi instalat pe oricare latură a mașinii.

Când demontați cârligul de transport, lărgiți-l apăsând pe capetele drepte DE PE AMBELE LATURI în direcția săgeților (1) și ridicați-l în direcția săgeții (2).

- **Fig.15:** 1. Agățătoare

FUNCȚIONARE

Operația de înșurubare

► Fig.16

Porniți mașina prin acționarea butonului declanșator. Țineți mașina perpendicular și ferm pe suprafața de înșurubare. Un șurub va fi adus automat în poziția de înșurubare și va fi înșurubat.

⚠️ ATENȚIE:

- Verificați întotdeauna cu atenție uzura sculei înaintea operațiilor de înșurubare. Înlocuiți o sculă uzată pentru a evita o strângere slabă.
- Țineți întotdeauna mașina perpendicular pe suprafața de înșurubat. Dacă o țineți înclinat, puteți deteriora capul șurubului și puteți uza scula. Aceasta poate conduce și la o strângere slabă.
- Apăsăți mașina întotdeauna ferm pe suprafața de înșurubat până la finalizarea înșurubării. În caz contrar, șuruburile ar putea fi strânse insuficient.
- Aveți grijă să nu înșurubați un șurub într-unul deja fixat.
- Nu acționați mașina fără șuruburi. Veți deteriora suprafața de înșurubat.
- Nu aplicați ulei sau vaselină pe suprafața de alunecare a casetei alimentatorului.

Înșurubarea în colțuri

► Fig.17: 1. Perete 2. Baza opritorului

Această mașină poate fi utilizată pentru înșurubări la o distanță de 15 mm față de perete, după cum se vede în figură.

⚠️ ATENȚIE:

- Înșurubarea la o distanță mai mică de 15 mm față de perete sau înșurubarea cu baza opritorului aflată în contact cu peretele poate deteriora capetele șuruburilor și poate uza scula. Aceasta poate conduce și la o strângere slabă a șuruburilor și defectarea mașinii.

ÎNȚEȚINERE

⚠️ ATENȚIE:

- Asigurați-vă întotdeauna că mașina este oprită și cartușul acumulatorului este scos înainte de a executa lucrările de inspecție și întreținere.
- Nu utilizați niciodată gazolină, benzină, diluant, alcool sau alte substanțe asemănătoare. În caz contrar, pot rezulta decolorări, deformări sau fisuri.

Înlocuirea periiilor de carbon

► Fig.18: 1. Marcaj limită

Înlocuiți-le atunci când se uzează până la marcajul limită. Păstrați periiile de cărbune curate și libere pentru a aluneca în suporturi. Ambele perii de cărbune trebuie înlocuite concomitent. Folosiți numai perii de cărbune identice.

Deșurubați șuruburile cu cap striat care fixează carcasa. Extrageți carcasa în direcția indicată de săgeată.

► Fig.19: 1. Carcasă 2. Șurub fluture

Folosiți o șurubelniță pentru a scoate cele două șuruburi și apoi scoateți capacul frontal.

► Fig.20: 1. Capac frontal 2. Șuruburi

Ridicați piesa cu braț a arcului și introduceți-o în piesa cu degajare a carcasei cu o șurubelniță cu vârf plat cu tijă subțire sau ceva asemănător.

► Fig.21: 1. Arc 2. Braț 3. Piesă cu degajare

Folosiți un clește pentru a îndepărta capacele periiilor de cărbune. Scoateți periiile de cărbune uzate, introduceți-le pe cele noi și reinstalați capacele periiilor de cărbune.

► Fig.22: 1. Capacul periei de cărbune

Asigurați-vă aceste capace ale periiilor de cărbune s-au fixat bine în orificiile din suporturile periiilor.

► Fig.23: 1. Orificiu 2. Capacul periei de cărbune

Reinstalați capacul frontal și strângeți ferm cele două șuruburi.

Pentru a menține siguranța și fiabilitatea mașinii, reparațiile și reglajele trebuie să fie efectuate numai la Centrele de service autorizat Makita, folosindu-se piese de schimb Makita.

ACCESORII OPȚIONALE

⚠️ ATENȚIE:

- Folosiți accesoriile sau piesele auxiliare recomandate pentru mașina dumneavoastră în acest manual. Utilizarea oricăror alte accesorii sau piese auxiliare poate cauza vătămări. Folosiți accesoriile pentru operațiunea pentru care au fost concepute.

Dacă aveți nevoie de asistență sau de mai multe detalii referitoare la aceste accesorii, adresați-vă centrului local de service Makita.

- Bandă de șuruburi pentru plăci aglomerate (Spax)
- Cap de înșurubat Phillips
- Diverse tipuri de acumulatori și încărcătoare originale Makita
- Cutia de plastic pentru transport

NOTĂ:

- Unele articole din listă pot fi incluse ca accesorii standard în ambalajul de scule. Acestea pot diferi în funcție de țară.

TECHNISCHE DATEN

Modell	DFR540	DFR550	DFR750
Schraubengurt	4 x 25 - 55 mm		4 x 45 - 75 mm
Leertlaufdrehzahl (min ⁻¹)	4.000		
Gesamtlänge	424 mm		464 mm
Netto-Gewicht	2,0 - 3,0 kg	2,1 - 3,1 kg	2,1 - 3,2 kg
Nennspannung	Gleichspannung 14,4 V	Gleichspannung 18 V	Gleichspannung 18 V

- Wir behalten uns vor, Änderungen der technischen Daten im Zuge der Entwicklung und des technischen Fortschritts ohne vorherige Ankündigung vorzunehmen.
- Die technischen Daten können von Land zu Land unterschiedlich sein.
- Das Gewicht kann abhängig von dem Aufsatz (den Aufsätzen), einschließlich des Akkus, unterschiedlich sein. Die leichteste und die schwerste Kombination, gemäß dem EPTA-Verfahren 01/2014, sind in der Tabelle angegeben.

Zutreffende Akkus und Ladegeräte

Akku	14,4-V-Gleichstrom-Modell	BL1415N / BL1430 / BL1430B / BL1440 / BL1450 / BL1460B
	18-V-Gleichstrom-Modell	BL1815N / BL1820 / BL1820B / BL1830 / BL1830B / BL1840 / BL1840B / BL1850 / BL1850B / BL1860B
Ladegerät	DC18RC / DC18RD / DC18RE / DC18SD / DC18SE / DC18SF	

- Einige der oben aufgelisteten Akkus und Ladegeräte sind je nach Ihrem Wohngebiet eventuell nicht erhältlich.

⚠️ WARNUNG: Verwenden Sie nur die oben aufgeführten Akkus und Ladegeräte. Bei Verwendung irgendwelcher anderer Akkus und Ladegeräte besteht Verletzungs- und/oder Brandgefahr.

Verwendungszweck

Das Werkzeug wurde für das Schrauben in Holz, Metall und Kunststoff entwickelt.

Geräuschpegel

Die typischen A-bewerteten Geräuschpegel, bestimmt gemäß EN62841:

Modell DFR540

Schalldruckpegel (L_{pA}): 77 dB (A)

Abweichung (K): 3 dB (A)

Unter Arbeitsbedingungen kann der Schalldruckpegel 80 dB (A) überschreiten.

Modell DFR550

Schalldruckpegel (L_{pA}): 78 dB (A)

Abweichung (K): 3 dB (A)

Unter Arbeitsbedingungen kann der Schalldruckpegel 80 dB (A) überschreiten.

Modell DFR750

Schalldruckpegel (L_{pA}): 76 dB (A)

Abweichung (K): 3 dB (A)

Unter Arbeitsbedingungen kann der Schalldruckpegel 80 dB (A) überschreiten.

Tragen Sie Gehörschutz

Schwingung

Schwingungsgesamtwerte (Vektorsumme dreier Achsen) nach EN62841:

Arbeitsmodus: Schrauben ohne Schlag

Schwingungsbelastung (a_{h1}): 2,5 m/s² oder weniger

Abweichung (K): 1,5 m/s²

HINWEIS: Die deklarierte Schwingungsbelastung wurde gemäß der Standardtestmethode gemessen und kann für den Vergleich von Werkzeugen untereinander verwendet werden.

HINWEIS: Die deklarierte Schwingungsbelastung kann auch in einer vorläufigen Bewertung der Gefährdung verwendet werden.

⚠️ WARNUNG: Die Schwingungsbelastung während der tatsächlichen Anwendung des Elektrowerkzeugs kann in Abhängigkeit von der Art und Weise der Verwendung des Werkzeugs vom deklarierten Belastungswert abweichen.

⚠️ WARNUNG: Stellen Sie sicher, dass Schutzmaßnahmen für den Bediener getroffen werden, die auf den unter den tatsächlichen Arbeitsbedingungen zu erwartenden Belastungen beruhen (beziehen Sie alle Bestandteile des Arbeitsablaufs ein, also zusätzlich zu den Arbeitszeiten auch Zeiten, in denen das Werkzeug ausgeschaltet ist oder ohne Last läuft).

EG-Konformitätserklärung

Nur für europäische Länder

Die EG-Konformitätserklärung ist als Anhang A in dieser Bedienungsanleitung enthalten.

Allgemeine Sicherheitswarnungen für Elektrowerkzeuge

⚠️ WARNUNG: Lesen Sie alle mit diesem Elektrowerkzeug gelieferten Sicherheitswarnungen, Anweisungen, Abbildungen und technischen Daten durch. Eine Missachtung der unten aufgeführten Anweisungen kann zu einem elektrischen Schlag, Brand und/oder schweren Verletzungen führen.

Bewahren Sie alle Warnungen und Anweisungen für spätere Bezugnahme auf.

Der Ausdruck „Elektrowerkzeug“ in den Warnhinweisen bezieht sich auf Ihr mit Netzstrom (mit Kabel) oder Akku (ohne Kabel) betriebenes Elektrowerkzeug.

Sicherheitswarnungen für Akku-Schrauber

1. Halten Sie das Elektrowerkzeug nur an den isolierten Griffflächen, wenn Sie Arbeiten ausführen, bei denen die Gefahr besteht, dass das Befestigungselement verborgene Kabel kontaktiert. Bei Kontakt mit einem Strom führenden Kabel können die freiliegenden Metallteile des Elektrowerkzeugs ebenfalls Strom führend werden, so dass der Benutzer einen elektrischen Schlag erleiden kann.
2. Achten Sie stets auf sicheren Stand. Vergewissern Sie sich bei Einsatz des Werkzeugs an hochgelegenen Arbeitsplätzen, dass sich keine Personen darunter aufhalten.
3. Halten Sie das Werkzeug mit festem Griff.
4. Halten Sie Ihre Hände von rotierenden Teilen fern.
5. Vermeiden Sie eine Berührung des Einsatzes oder des Werkstücks unmittelbar nach der Bearbeitung, weil die Teile noch sehr heiß sind und Hautverbrennungen verursachen können.
6. Spannen Sie Werkstücke stets in einen Schraubstock oder eine ähnliche Aufspannvorrichtung ein.

DIESE ANWEISUNGEN AUFBEWAHREN.

⚠️ WARNUNG: Lassen Sie sich NICHT durch Bequemlichkeit oder Vertrautheit mit dem Produkt (durch wiederholten Gebrauch erworben) von der strikten Einhaltung der Sicherheitsregeln für das vorliegende Produkt abhalten.

MISSBRAUCH oder Missachtung der Sicherheitsvorschriften in dieser Anleitung können schwere Verletzungen verursachen.

Wichtige Sicherheitsanweisungen für Akku

1. Lesen Sie vor der Benutzung des Akkus alle Anweisungen und Warnhinweise, die an (1) Ladegerät, (2) Akku und (3) Akkuwerkzeug angebracht sind.
2. Unterlassen Sie ein Zerlegen des Akkus.
3. Falls die Betriebszeit beträchtlich kürzer geworden ist, stellen Sie den Betrieb sofort ein. Anderenfalls besteht die Gefahr von Überhitzung, möglichen Verbrennungen und sogar einer Explosion.
4. Falls Elektrolyt in Ihre Augen gelangt, waschen Sie sie mit sauberem Wasser aus, und begeben Sie sich unverzüglich in ärztliche Behandlung. Anderenfalls können Sie Ihre Sehkraft verlieren.
5. Der Akku darf nicht kurzgeschlossen werden:
 - (1) Die Kontakte dürfen nicht mit leitfähigem Material berührt werden.
 - (2) Lagern Sie den Akku nicht in einem Behälter zusammen mit anderen Metallgegenständen, wie z. B. Nägel, Münzen usw.
 - (3) Setzen Sie den Akku weder Wasser noch Regen aus.

Ein Kurzschluss des Akkus verursacht starken Stromfluss, der Überhitzung, mögliche Verbrennungen und einen Defekt zur Folge haben kann.

6. Lagern Sie das Werkzeug und den Akku nicht an Orten, an denen die Temperatur 50 °C erreichen oder überschreiten kann.
7. Versuchen Sie niemals, den Akku zu verbrennen, selbst wenn er stark beschädigt oder vollkommen verbraucht ist. Der Akku kann im Feuer explodieren.
8. Achten Sie darauf, dass der Akku nicht fallen gelassen oder Stößen ausgesetzt wird.
9. Benutzen Sie keine beschädigten Akkus.
10. Die enthaltenen Lithium-Ionen-Akkus unterliegen den Anforderungen der Gefahrgut-Gesetzgebung.

Für kommerzielle Transporte, z. B. durch Dritte oder Spediteure, müssen besondere Anforderungen zu Verpackung und Etikettierung beachtet werden.

Zur Vorbereitung des zu transportierenden Artikels ist eine Beratung durch einen Experten für Gefahrgut erforderlich. Bitte beachten Sie möglicherweise ausführlichere nationale Vorschriften. Überleben oder verdecken Sie offene Kontakte, und verpacken Sie den Akku so, dass er sich in der Verpackung nicht umher bewegen kann.
11. Befolgen Sie die örtlichen Bestimmungen bezüglich der Entsorgung von Akkus.
12. Verwenden Sie die Akkus nur mit den von Makita angebotenen Produkten. Das Einsetzen der Akkus in nicht konforme Produkte kann zu einem Brand, übermäßiger Hitzebildung, einer Explosion oder Auslaufen von Elektrolyt führen.

DIESE ANWEISUNGEN AUFBEWAHREN.

⚠ VORSICHT: Verwenden Sie nur Original-Makita-Akkus. Die Verwendung von Nicht-Original-Makita-Akkus oder von Akkus, die abgeändert worden sind, kann zum Bersten des Akkus und daraus resultierenden Bränden, Personenschäden und Beschädigung führen. Außerdem wird dadurch die Makita-Garantie für das Makita-Werkzeug und -Ladegerät ungültig.

Hinweise zur Aufrechterhaltung der maximalen Akku-Nutzungsdauer

1. **Laden Sie den Akku, bevor er vollkommen erschöpft ist. Schalten Sie das Werkzeug stets aus, und laden Sie den Akku, wenn Sie ein Nachlassen der Werkzeugeistung feststellen.**
2. **Unterlassen Sie erneutes Laden eines voll aufgeladenen Akkus. Überladen führt zu einer Verkürzung der Nutzungsdauer des Akkus.**
3. **Laden Sie den Akku bei Raumtemperatur zwischen 10 – 40 °C. Lassen Sie einen heißen Akku abkühlen, bevor Sie ihn laden.**
4. **Der Akku muss geladen werden, wenn er lange Zeit (länger als sechs Monate) nicht benutzt wird.**

FUNKTIONSBESCHREIBUNG

⚠ VORSICHT:

- Schalten Sie das Werkzeug stets aus und entfernen Sie den Akkublock, bevor Sie Einstellungen oder eine Funktionsprüfung des Werkzeugs vornehmen.

Montage und Demontage des Akkublocks

► **Abb.1:** 1. Rote Anzeige 2. Taste 3. Akkublock

- Schalten Sie das Werkzeug immer aus, bevor Sie den Akkublock einsetzen oder entnehmen.
- Zum Entnehmen des Akkublocks müssen Sie die Taste auf der Vorderseite des Akkublocks schieben und gleichzeitig den Akkublock aus dem Werkzeug herausziehen.
- Zum Einsetzen des Akkublocks müssen Sie die Zunge des Akkublocks an der Rille im Gehäuse ausrichten und in die gewünschte Position schieben. Setzen Sie den Block unbedingt ganz ein, bis er mit einem Klick einrastet. Wenn Sie den roten Bereich oben auf der Taste sehen können, ist der Block nicht vollständig eingerastet. Setzen Sie den Akkublock vollständig ein, bis der rote Bereich nicht mehr zu sehen ist. Anderenfalls kann der Block versehentlich aus dem Werkzeug fallen und Sie oder Personen in Ihrem Umfeld verletzen.
- Wenden Sie beim Einsetzen des Akkublocks keine Gewalt an. Wenn der Block nicht leicht hineingleitet, ist er nicht richtig eingesetzt.

Akku-Schutzsystem (Lithium-Ionen-Akku ist mit einem Stern gekennzeichnet)

► **Abb.2:** 1. Sternmarkierung

Mit einem Stern gekennzeichnete Lithium-Ionen-Akkus verfügen über ein Schutzsystem. Dieses System schaltet die Stromversorgung des Werkzeugs automatisch aus, um die Lebensdauer des Akkus zu verlängern. Unter folgenden Bedingungen des Werkzeugs und/oder des Akkus kann das Werkzeug während des Betriebs automatisch stoppen:

- **Überlastet:**
Das Werkzeug wird auf eine Weise betrieben, die zu einer anormal hohen Stromaufnahme führt. Lassen Sie in dieser Situation den Ein/Aus-Schalter des Werkzeugs los und beenden Sie die Arbeiten, die zu der Überlastung des Werkzeugs geführt haben. Betätigen Sie anschließend den Ein/Aus-Schalter wieder, um das Werkzeug wieder in Betrieb zu nehmen. Wenn das Werkzeug nicht startet, ist der Akku überhitzt. Lassen Sie in dieser Situation den Akku erst abkühlen, bevor Sie wieder den Ein/Aus-Schalter betätigen.
- **Spannung des Akkus zu niedrig:**
Die noch vorhandene Akkuladung ist zu niedrig, und das Werkzeug startet nicht. Entnehmen Sie in dieser Situation den Akku und laden Sie den Akku wieder auf.

Anzeigen der Akku-Restkapazität

Nur für Akkus mit Anzeige

► **Abb.3:** 1. Anzeigelampen 2. Prüftaste

Drücken Sie die Prüftaste am Akku, um die Akku-Restkapazität anzuzeigen. Die Anzeigelampen leuchten wenige Sekunden lang auf.

Anzeigelampen			Restkapazität
Erleuchtet	Aus	Blinkend	
■	□	◐	75 % bis 100 %
■	■	■	
■	■	□	
■	■	□	
■	□	□	
■	□	□	
■	□	□	
◐	□	□	50% bis 75%
◐	□	□	25% bis 50%
◐	□	□	0% bis 25%
◐	□	□	Den Akku aufladen.
◐	□	□	Möglicherweise liegt eine Funktionsstörung im Akku vor.
◐	□	□	

HINWEIS: Abhängig von den Benutzungsbedingungen und der Umgebungstemperatur kann die Anzeige geringfügig von der tatsächlichen Kapazität abweichen.

Einstellen der gewünschten Schraubenlänge

► **Abb.4:** 1. Hebel 2. Tiefenanschlag 3. Schild auf Magazinkammer 4. Sichtfenster

Es gibt 7 verschiedene Rasterstellungen für den Tiefenanschlag. Zur Einstellung ziehen Sie den Tiefenanschlag heraus und drücken gleichzeitig den Hebel nach unten, bis sich die Nummer mit der gewünschten Schraubenlänge (auf dem Schild an der Magazinkammer angezeigt) im Sichtfenster des Tiefenanschlags befindet. In der folgenden Tabelle ist die Beziehung zwischen dem Einstellwert auf dem Schild an der Magazinkammer und der zugehörigen Schraubenlänge angegeben.

Für Modelle DFR540, DFR550

Auf dem Schild angegebener Wert	Schraubenlänge
25	25 mm
30	30 mm
35	35 mm
40	40 mm
45	45 mm
50	50 mm
55	55 mm

Für Modell DFR750

Auf dem Schild angegebener Wert	Schraubenlänge
45	45 mm
50	50 mm
55	55 mm
60	60 mm
65	65 mm
70	70 mm
75	75 mm

Einstellen der Schraubtiefe

► **Abb.5:** 1. Tiefenanschlag 2. Gehäuse 3. Einstellknopf

Drücken Sie den Tiefenanschlag bis zum Anschlag hinunter. Behalten Sie diese Position bei, und drehen Sie den Einstellknopf, bis die Spitze des Einsatzes ca. 5 mm aus dem Tiefenanschlag herausragt. Führen Sie eine Probeverschraubung durch. Falls der Schraubkopf aus der Oberfläche des Werkstücks herausragt, drehen Sie den Einstellknopf in Richtung "A". Falls der Schraubkopf zu tief versenkt wird, drehen Sie den Einstellknopf in Richtung "B".

Einschalten

► **Abb.6:** 1. Griffschalter

⚠ VORSICHT:

- Achten Sie vor dem Einsetzen des Akkublocks in das Werkzeug darauf, dass sich der Auslöseschalter korrekt bedienen lässt und beim Loslassen auf die Position "OFF" (AUS) zurückkehrt.

Betätigen Sie zum Starten des Werkzeugs einfach den Auslöseschalter. Lassen Sie zum Ausschalten des Werkzeugs den Auslöseschalter los.

Umschalten der Drehrichtung

► **Abb.7:** 1. Umschalthebel der Drehrichtung

Dieses Werkzeug verfügt über einen Umschalter, mit dem die Drehrichtung geändert werden kann. Für eine Drehbewegung im Uhrzeigersinn muss der Umschalter von der Seite A nach unten gedrückt werden, und für eine Drehbewegung gegen den Uhrzeigersinn von der Seite B. Wenn sich der Umschalthebel in der neutralen Position befindet, kann der Auslöseschalter nicht gezogen werden.

⚠ VORSICHT:

- Überprüfen Sie vor jedem Betrieb immer die Drehrichtung.
- Der Umschalter darf nur betätigt werden, wenn das Werkzeug ganz angehalten wurde. Wenn Sie die Drehrichtung ändern, solange das Werkzeug noch läuft, kann es beschädigt werden.
- Ist das Werkzeug nicht in Gebrauch, muss der Umschalthebel immer auf die neutrale Position gestellt werden.

MONTAGE

⚠ VORSICHT:

- Schalten Sie das Werkzeug stets aus, und entfernen Sie den Akkublock, bevor Sie Arbeiten am Werkzeug ausführen.

Montage und Demontage des Einsatzes

Lösen Sie die Flügelschrauben, mit denen das Gehäuse befestigt ist. Ziehen Sie das Gehäuse in Pfeilrichtung ab.
▶ **Abb.8:** 1. Gehäuse 2. Flügelschraube

Drücken Sie die Staubschutzmanschette gegen das Gleitlager, und ziehen Sie den Einsatz heraus. Kann die Staubschutzmanschette nicht bis zum Gleitlager bewegt werden, versuchen Sie es nach leichtem Drehen des Einsatzes erneut.

Um den Einsatz anzubringen, stecken Sie ihn unter leichtem Drehen in den Steckeinsatz. Überprüfen Sie nach der Montage stets, ob der Einsatz einwandfrei sitzt, indem Sie versuchen, ihn herausziehen.

▶ **Abb.9:** 1. Gleitlager 2. Staubschutzmanschette 3. Einsatz

Montage des Schraubengurts

Führen Sie den Schraubengurt durch die Schraubenführung ein. Schieben Sie ihn dann so weit durch die Magazinkammer, bis sich die erste Schraube in Einschraubposition befindet.

▶ **Abb.10:** 1. Magazinkammer 2. Schraubengurt 3. Schraubenführung

▶ **Abb.11:** 1. Schraubposition

Entfernen des Schraubengurts

Ziehen Sie den Schraubengurt zum Entfernen in Pfeilrichtung heraus. Durch Drücken der Umschalttaste kann der Schraubengurt in entgegen gesetzter Pfeilrichtung herausgezogen werden.

▶ **Abb.12**

▶ **Abb.13:** 1. Umschalttaste

Zusammenklappen der Schraubenführung

▶ **Abb.14**

Die Schraubenführung kann zusammengeklappt werden. Durch das Zusammenklappen der Schraubenführung kann Platz bei der Aufbewahrung eingespart werden.

Einhängeclip

Der Eihängeclip ist nützlich, wenn Sie das Werkzeug vorübergehend aufhängen möchten. Er kann an jeder Seite des Werkzeugs befestigt werden.

Gehen Sie zum Entfernen des Eihängeclips wie folgt vor: Dehnen Sie ihn, indem Sie seine Kanten AN BEIDEN SEITEN in Pfeilrichtung drücken (1) und dann in Pfeilrichtung anheben (2).

▶ **Abb.15:** 1. Haken

ARBEIT

Schraubetrieb

▶ **Abb.16**

Schalten Sie das Werkzeug ein, indem Sie den Auslöseschalter betätigen. Halten Sie das Werkzeug fest und gerade zum Werkstück. Die Schraube wird dann automatisch zur Einschraubposition transportiert und in das Werkstück geschraubt.

⚠ VORSICHT:

- Überprüfen Sie den Einsatz vor dem Schrauben sorgfältig auf Verschleißerscheinungen. Tauschen Sie einen verschlissenen Einsatz aus, da das Ergebnis andernfalls möglicherweise mangelhaft ist.
- Halten Sie das Werkzeug immer gerade zum Werkstück. Wenn Sie es in einem Winkel halten, können die Schraubenköpfe beschädigt und der Einsatz abgenutzt werden. Darüber hinaus kann sich durch eine solche Position das Ergebnis verschlechtern.
- Drücken Sie das Werkzeug immer fest gegen das Werkstück, bis der Schraubvorgang abgeschlossen ist. Andernfalls werden die Schrauben möglicherweise nicht fest genug eingedreht.
- Passen Sie auf, dass Sie eine Schraube nicht auf eine bereits befestigte Schraube schrauben.
- Nehmen Sie das Werkzeug nicht ohne eingelegte Schrauben in Betrieb. Dadurch kann das Werkstück beschädigt werden.
- Schmieren Sie kein Öl oder sonstige Schmiermittel auf die Gleitfläche der Magazinkammer.

Schrauben in Ecken

▶ **Abb.17:** 1. Wand 2. Tiefenanschlag

Dieses Werkzeug kann zum Eindrehen von Schrauben an einer Stelle verwendet werden, die sich 15 mm von der Wand befindet - siehe Abbildung.

⚠ VORSICHT:

- Beim Eindrehen von Schrauben in einem Abstand von weniger als 15 mm von der Wand oder wenn der Tiefenanschlag beim Eindrehen die Wand berührt, können die Schraubenköpfe beschädigt und der Einsatz abgenutzt werden. Außerdem kann dies zu einer fehlerhaften Halterung der Schrauben und einer Funktionsstörung des Werkzeugs führen.

WARTUNG

⚠ VORSICHT:

- Schalten Sie das Werkzeug stets aus und entfernen Sie den Akkublock, bevor Sie Inspektionen oder Wartungsarbeiten am Werkzeug vornehmen.
- Verwenden Sie zum Reinigen niemals Kraftstoffe, Benzin, Verdünnern, Alkohol oder ähnliches. Dies kann zu Verfärbungen, Verformungen oder Rissen führen.

Kohlenwechsel

► **Abb.18:** 1. Grenzmarke

Ersetzen Sie diese, wenn sie bis zur Verschleißgrenze abgenutzt sind. Halten Sie die Kohlebürsten sauber und sorgen Sie dafür, dass sie locker in den Halterungen liegen. Beide Kohlebürsten sollten gleichzeitig ersetzt werden. Verwenden Sie nur identische Kohlebürsten. Lösen Sie die Flügelschrauben, mit denen das Gehäuse befestigt ist. Ziehen Sie das Gehäuse in Pfeilrichtung ab.

► **Abb.19:** 1. Gehäuse 2. Flügelschraube

Entfernen Sie die beiden Schrauben mit einem Schraubendreher, und entfernen Sie dann die vordere Abdeckung.

► **Abb.20:** 1. Vordere Abdeckung 2. Schrauben

Heben Sie den Federarm, und setzen Sie diesen dann mit der schlanken Spitze eines Schlitzschraubendrehers oder einem ähnlichen Gegenstand in den abgestuften Bereich des Gehäuses.

► **Abb.21:** 1. Feder 2. Arm 3. Abgestufter Bereich

Entfernen Sie die Kohlebürstenkappen der Kohlebürsten mit einer Zange. Entnehmen Sie die verbrauchten Kohlebürsten, legen Sie die neuen ein und bringen Sie die Kohlebürstenkappen in umgekehrter Reihenfolge wieder an.

► **Abb.22:** 1. Kohlebürstenkappe

Vergewissern Sie sich, dass die Kohlebürstenkappen fest in den Öffnungen der Bürstenhalter sitzen.

► **Abb.23:** 1. Loch 2. Kohlebürstenkappe

Setzen Sie die vordere Abdeckung wieder ein, und ziehen Sie die beiden Schrauben fest an.

Zur Aufrechterhaltung der SICHERHEIT und ZUVERLÄSSIGKEIT des Produkts müssen die Reparaturen und alle Wartungen und Einstellungen von den autorisierten Servicestellen der Firma Makita und unter Verwendung der Ersatzteile von Makita durchgeführt werden.

SONDERZUBEHÖR

⚠ VORSICHT:

- Für Ihr Werkzeug Makita, das in dieser Anleitung beschrieben ist, empfehlen wir folgende Zubehörteile und Aufsätze zu verwenden. Bei der Verwendung anderer Zubehörteile oder Aufsätze kann die Verletzungsgefahr für Personen drohen. Die Zubehörteile und Aufsätze dürfen nur für ihre festgelegten Zwecke verwendet werden.

Wenn Sie nähere Informationen bezüglich dieses Zubehörs benötigen, wenden Sie sich bitte an Ihre örtliche Servicestelle der Firma Makita.

- Trockenbau-Schraubengurt
- Phillips-Einsatz
- Verschiedene Arten von Makita-Originalakkus und -Ladegeräten
- Kunststoffkoffer

HINWEIS:

- Einige der in der Liste aufgeführten Elemente sind dem Werkzeugpaket als Standardzubehör beigelegt. Diese können in den einzelnen Ländern voneinander abweichen.

RÉSZLETES LEÍRÁS

Modell	DFR540	DFR550	DFR750
Csavartartó heveder	4 x 25 - 55 mm		4 x 45 - 75 mm
Üresjárat fordulatszám (min ⁻¹)	4000		
Teljes hossz	424 mm		464 mm
Tiszta tömeg	2,0 - 3,0 kg	2,1 - 3,1 kg	2,1 - 3,2 kg
Névleges feszültség	14,4 V, egyenáram	18 V, egyenáram	18 V, egyenáram

- Folyamatos kutató- és fejlesztőprogramunk eredményeként az itt felsorolt tulajdonságok figyelmeztetés nélkül megváltozhatnak.
- A tulajdonságok országról országra különbözhetnek.
- A súly a felszerelt tartozékoktól függően változhat, az akkumulátort is beleértve. Az EPTA 01/2014 eljárás szerint meghatározott legnehezebb, illetve legkönnyebb kombináció a táblázatban látható.

Alkalmazható akkumulátorok és töltők

Akkumulátor	14,4 V-os egyenáramú típus	BL1415N / BL1430 / BL1430B / BL1440 / BL1450 / BL1460B
	18 V-os egyenáramú típus	BL1815N / BL1820 / BL1820B / BL1830 / BL1830B / BL1840 / BL1840B / BL1850 / BL1850B / BL1860B
Töltő		DC18RC / DC18RD / DC18RE / DC18SD / DC18SE / DC18SF

- Lakóhelyétől függően előfordulhat, hogy a fent felsorolt akkumulátorok és töltők nem érhetőek el.

▲ FIGYELMEZTETÉS: Csak a fentiekben felsorolt akkumulátorokat és töltőket használja. Bármilyen más akkumulátor vagy töltő használata sérüléseket és/vagy tüzet okozhat.

Rendeltetésszerű használat

A szerszám csavarbehajtásra használható, fába, fémekbe és műanyagokba.

Zaj

A típikus A-súlyozású zajszint, a EN62841 szerint meghatározva:

Típus DFR540

Hangnyomásszint (L_{PA}): 77 dB (A)

Tűrés (K): 3 dB (A)

A zajszint a munkavégzés során meghaladhatja a 80 dB (A) értéket.

Típus DFR550

Hangnyomásszint (L_{PA}): 78 dB (A)

Tűrés (K): 3 dB (A)

A zajszint a munkavégzés során meghaladhatja a 80 dB (A) értéket.

Típus DFR750

Hangnyomásszint (L_{PA}): 76 dB (A)

Tűrés (K): 3 dB (A)

A zajszint a munkavégzés során meghaladhatja a 80 dB (A) értéket.

Viseljen fülvédőt

Vibráció

A vibráció teljes értéke (háromtengelyű vektorösszeg) EN62841 szerint meghatározva:

Működési mód: csavarbehajtás ütések nélkül

Rezgéskibocsátás (a_h): 2,5 m/s² vagy kevesebb

Tűrés (K): 1,5 m/s²

MEGJEGYZÉS: A rezgéskibocsátás értéke a szabványos vizsgálati eljárásnak megfelelően lett mérve, és segítségével az elektromos kéziszerszámok összehasonlíthatók egymással.

MEGJEGYZÉS: A rezgéskibocsátás értékének segítségével előzetesen megbecsülhető a rezgésnek való kitettség mértéke.

▲ FIGYELMEZTETÉS: A szerszám rezgéskibocsátása egy adott alkalmazásnál eltérhet a megadott értéktől a használat módjától függően.

▲ FIGYELMEZTETÉS: Határozza meg a kezelő védelmét szolgáló munkavédelmi lépéseket, melyek az adott munkafeltételek melletti vibrációs hatás becsült mértékén alapulnak (figyelembe véve a munkaciklus elemeit, mint például a gép leállításának és üresjáratának mennyiségét az elindítások száma mellett).

EK Megfelelőségi nyilatkozat

Csak európai országokra vonatkozóan

Az EK-megfelelőségi nyilatkozat az útmutató „A” mellékletében található.

A szerszámgepekre vonatkozó általános biztonsági figyelmeztetések

▲ FIGYELMEZTETÉS: Olvassa el a szerszámgéphez mellékelt összes biztonsági figyelmeztetést, utasítást, illusztrációt és a műszaki adatokat. A következőkben leírt utasítások figyelmen kívül hagyása elektromos áramütést, tüzet és/vagy súlyos sérülést eredményezhet.

Őrizzen meg minden figyelmeztetést és utasítást a későbbi tájékozódás érdekében.

A figyelmeztetéseken szereplő "szerszámgép" kifejezés az Ön hálózatról (vezetékes) vagy akkumulátorról (vezeték nélküli) működtetett szerszámgépére vonatkozik.

Az akkumulátoros csavarbehajtóra vonatkozó biztonsági figyelmeztetések

1. Tartsa az elektromos szerszámot a szigetelt markolófelületeinél fogva, amikor olyan műveletet végez, melynek során fennáll a veszélye, hogy a rögzítő rejtett vezetékekbe ütközhet. A rögzítők áram alatt lévő vezetékekkel való érintkezések a szerszám fém alkatrészei is áram alá kerülnek, és megrázzhatják a kezelőt.
2. Mindig stabil helyzetben dolgozzon. A szerszám magasban történő használatkor győződjön meg arról, hogy nem tartózkodik-e valaki odalent.
3. Tartsa stabilan a szerszámot.
4. Ne nyúljon a forgó részekhez.
5. Ne érjen a szerszámhoz vagy a munkadarabhoz közvetlenül a munkavégzést követően; azok rendkívül forrók lehetnek és megégethetik a bőrt.
6. A munkadarabokat mindig rögzítse satuban, vagy más hasonló befogó eszközzel.

ŐRIZZE MEG EZEKET AZ UTASÍTÁSOKAT.

▲ FIGYELMEZTETÉS: NE HAGYJA, hogy (a termék többszöri használatából eredő) kényelem és megszokás váltsa fel a termék biztonsági előírásainak szigorú betartását.

A HELYTELEN HASZNÁLAT és a használati útmutatóban szereplő biztonsági előírások megszegése súlyos személyi sérülésekhez vezethet.

Fontos biztonsági utasítások az akkumulátorra vonatkozóan

1. Az akkumulátor használata előtt tanulmányozza át az akkumulátortöltőt (1), az akkumulátort (2) és az akkumulátorral működtetett terméken (3) olvasható összes utasítást és figyelmeztető jelzést.

2. Ne szerelje szét az akkumulátort.
3. Ha a működési idő nagyon lerövidült, azonnal hagyja abba a használatot. Ez a túlmelegedés, esetleges égések és akár robbanás veszélyével is járhat.
4. Ha elektrolit kerül a szemébe, mossa ki azt tiszta vízzel és azonnal kérjen orvosi segítséget. Ez a látásának elvesztését okozhatja.
5. Ne zárja rövidre az akkumulátort:
 - (1) Ne érjen az érintkezőkhöz elektromosan vezető anyagokkal.
 - (2) Ne tárolja az akkumulátort más fémtárgyakkal, mint pl. szegekkel, érmékkel, stb. egy helyen.
 - (3) Ne tegye ki az akkumulátort víznek vagy esőnek.

Az akkumulátor rövidzárlata nagy áramerősséget, túlmelegedést, égéseket, sőt akár meghibásodást is okozhat.

6. Ne tárolja a szerszámot vagy az akkumulátort olyan helyen, ahol a hőmérséklet elérheti vagy meghaladhatja az 50 °C-ot (122 °F).
7. Ne égesse el az akkumulátort még akkor sem, ha az komolyan megsérült vagy teljesen elhasználódott. Az akkumulátor a tűzben felrobbanhat.
8. Vigyázzon, nehogy leejtse vagy megüsse az akkumulátort.
9. Ne használjon sérült akkumulátort.
10. A készülékben található lítium-ion akkumulátorokra a veszélyes árukkal kapcsolatos előírások vonatkoznak.

A termék pl. harmadik felek, fuvarozó cégek stb. által történő szállítása esetén minden esetben tartsa szem előtt a csomagoláson és a címkén található speciális követelményeket.

A termék szállításra történő felkészítése esetén vegye fel a kapcsolatot egy veszélyes anyagokkal foglalkozó szakemberrel. Kérjük, hogy az esetlegesen szigorúbb nemzeti előírásokat is vegye figyelembe.

Ragassza le a kiálló érintkezőket, illetve oly módon csomagolja be az akkumulátort, hogy az ne tudjon elmozdulni a csomagolásban.
11. Az akkumulátor ártalmatlanításakor tartsa be a helyi előírásokat.
12. Az akkumulátorokat csak a Makita által megjelölt termékekhez használja. Ha az akkumulátorokat azokkal nem kompatibilis termékekbe helyezi, az tűzhöz, túlmelegedéshez, robbanáshoz vagy elektrolitszivárgáshoz vezethet.

ŐRIZZE MEG EZEKET AZ UTASÍTÁSOKAT.

▲ VIGYÁZAT: Csak eredeti Makita akkumulátorokat használjon. A nem eredeti Makita akkumulátorok vagy módosított akkumulátorok használata esetén az akkumulátor felrobbanhat, ami tüzet, személyi sérülést és anyagi kárt okozhat. A Makita szerszáma és töltőre vonatkozó Makita garanciát is érvénytelenítheti.

Tippek az akkumulátor maximális élettartamának eléréséhez

1. Töltse fel az akkumulátort, mielőtt teljesen lemerülne. Állítsa le a gépet, és töltse fel az akkumulátort, ha a gép erejének csökkenését észleli.
2. Soha ne töltse újra a teljesen feltöltött akkumulátort. A túltöltés csökkenti az akkumulátor élettartamát.
3. Töltse az akkumulátort szobahőmérsékleten, 10 °C - 40 °C (50 °F - 104 °F) között. Töltés előtt hagyja lehűlni a fölforrósodott akkumulátort.
4. Töltse fel az akkumulátort, ha hosszabb ideje (több mint hat hónapja) nem használta azt.

MŰKÖDÉSI LEÍRÁS

⚠ VIGYÁZAT:

- Minden esetben ellenőrizze, hogy a szerszám ki van kapcsolva és az akkumulátor eltávolításra került mielőtt beállít vagy ellenőriz valamilyen funkciót a szerszámon.

Az akkumulátor behelyezése és eltávolítása

▶ **Ábra1:** 1. Piros jelölés 2. Gomb 3. Akkumulátor

- Mindig kapcsolja ki az eszközt, mielőtt behelyezi vagy eltávolítja az akkumulátort.
- Az akkumulátoregység kivételéhez nyomja be az akkumulátoregység elején található gombot, és tolja ki az egységet.
- Az akkumulátor beszereléséhez illessze az akkumulátor nyelvét a burkolaton található vátatba és csúsztassa a helyére. Egészen addig tolja be, amíg egy kis kattanással a helyére nem ugrik. Ha látható a piros rész a gomb felső oldalán, akkor a gomb nem kattant be teljesen. Helyezze be az akkumulátort teljesen, amíg a piros rész el nem tűnik. Ha ez nem történik meg, akkor az akkumulátor kieshet a szerszámból, és Önnek vagy a környezetében másnak sérülést okozhat.
- Ne erőltesse az akkumulátort a behelyezéséskor. Ha az akkumulátor nem csúszik be könnyedén, akkor az rosszul lett behelyezve.

Akkumulátorvédő rendszer (lítiumion akkumulátor csillag jelzéssel)

▶ **Ábra2:** 1. Csillag jelzés

A csillag jelzéssel ellátott lítiumion akkumulátorok akkumulátorvédő rendszerrel vannak felszerelve. A rendszer automatikusan lekapcsolja a szerszám áramellátását, így megnöveli az akkumulátor élettartamát. A szerszám használat közben automatikusan leáll, ha a szerszám és/vagy az akkumulátor a következő helyzetbe kerül:

• Túlterhelt:

A szerszámot úgy működteti, hogy az szokatlanul erős áramot vesz fel.

Ilyenkor engedje fel a szerszám kioldókapcsolóját és állítsa le azt az alkalmazást, amelyik a túlterhelést okozza. Ezután húzza meg ismét a kioldókapcsolót, és indítsa újra a szerszámot.

Ha a szerszám nem indul el, az akkumulátor túlhevült. Ilyenkor hagyja kihűlni az akkumulátort, mielőtt ismét meghúzná a kioldókapcsolót.

• Az akkumulátor töltöttsége alacsony:

Az akkumulátor fennmaradó töltöttsége túl alacsony, a szerszámot nem tudja működtetni. Ilyenkor távolítsa el, és töltse fel az akkumulátort.

Az akkumulátor töltöttségének jelzése

Csak állapotjelzős akkumulátorok esetén

▶ **Ábra3:** 1. Jelzőlámpák 2. Check (ellenőrzés) gomb

Nyomja meg az ellenőrzőgombot, hogy az akkumulátortöltöttség-jelző megmutassa a hátralévő akkumulátor-kapacitást. Ekkor a töltöttség-szint-jelző lámpák néhány másodpercre kigyulladnak.

Jelzőlámpák			Töltöttségi szint
Világító lámpa	KI	Villogó lámpa	
			75%-tól 100%-ig
			50%-tól 75%-ig
			25%-tól 50%-ig
			0%-tól 25%-ig
			Töltse fel az akkumulátort.
			Lehetséges, hogy az akkumulátor meghibásodott.

MEGJEGYZÉS: Az adott munkafeltételektől és a környezet hőmérsékletétől függően a jelzett töltöttségi szint némileg eltérhet a tényleges töltöttségi szinttől.

A kívánt csavarhosszúság beállítása

▶ **Ábra4:** 1. Kar 2. Ütközőlemez 3. Címke az adagoló dobozon 4. Beszögellés

A csavar hossza kényszerütközőkkel 7 fokozatban állítható be. A kívánt beállítás eléréséhez a kart lenyomva húzza kifelé az ütközőkeretet addig, amíg nem látja a kívánt csavarhossznak (ez az adagoló dobozon található címkén van megadva) megfelelő számot az ütközőkeret beszögellésében. Tájékozódjon az alábbi táblázatból az adagoló dobozon található címkén megadott szám és a megfelelő csavarhossz kapcsolatáról.

DFR540, DFR550 típusok

A címkén látható szám	Csavar hossza
25	25 mm
30	30 mm
35	35 mm
40	40 mm
45	45 mm
50	50 mm
55	55 mm

DFR750 típus

A címkén látható szám	Csavar hossza
45	45 mm
50	50 mm
55	55 mm
60	60 mm
65	65 mm
70	70 mm
75	75 mm

A behajtási mélység beállítása

► **Ábra5:** 1. Ütközőlemez 2. Köpeny 3. Beállítógomb
Nyomja le az ütközőlemezt amennyire csak lehet. Azt ebben a helyzetben tartva fordítsa el a szabályozógombot addig, amíg a betét hegye kb. 5 mm-re kiemelkedik az ütközőlemezből. Hajtsa be egy próbacsavart. Ha a csavarfej túlnyúlik a munkadarab felületén, fordítsa a szabályozógombot az "A" irányba; ha a csavarfej túlságosan besüllyedt, fordítsa a szabályozógombot a "B" irányban.

A kapcsoló használata

► **Ábra6:** 1. Kioldókapcsoló

⚠ VIGYÁZAT:

- Mielőtt behelyezi az akkumulátort a szerelésbe, mindig ellenőrizze, hogy a kioldókapcsoló hibátlanul működik és az "OFF" állásba áll felengedéskor.

A szerszám bekapcsolásához egyszerűen húzza meg a kioldókapcsolót. Engedje fel a kioldókapcsolót a leállításához.

Forgásirányváltó kapcsoló használata

► **Ábra7:** 1. Forgásirányváltó kapcsolókar

Ez a szerszám irányváltó kapcsolóval van felszerelve a forgásirány megváltoztatásához. Váltsa át az irányváltó kapcsolót az A oldalról az óramutató járásával megegyező vagy a B oldalról az azzal ellentétes irányú forgáshoz.

Amikor az irányváltó kapcsolókar neutrális pozícióban van, akkor a kioldókapcsolót nem lehet behúzni.

⚠ VIGYÁZAT:

- A bekapcsolás előtt mindig ellenőrizze a beállított forgásirányt.
- Az irányváltó kapcsolót csak azután használja, hogy a szerszám teljesen megállt. A forgásirány megváltoztatása még azelőtt, hogy a szerszám leállt volna, a gép károsodását okozhatja.
- Amikor nem működteti a szerszámot, az irányváltó kapcsolót mindig állítsa a neutrális állásba.

ÖSSZESZERELÉS

⚠ VIGYÁZAT:

- Minden esetben ellenőrizze, hogy a szerszám ki van kapcsolva és az akkumulátor eltávolításra került mielőtt bármilyen műveletet végez a szerszámon.

A vésőszerszám berakása vagy eltávolítása

Lazítsa meg a köpenyt rögzítő szárnyascavarokat. Húzza ki a köpenyt a nyíl irányába.

► **Ábra8:** 1. Köpeny 2. Szárnyascsavar

Nyomja a porfogót a szemcsapágy irányába és húzza ki a betétet. Ha a porfogó nem mozdítható el annyira, mint a szemcsapágy, próbálja újra lenyomni azután, hogy kissé elfordította a betétet. A betét felszereléséhez helyezze azt a nyílásba, közben kissé elfordítva azt. A behelyezés után mindig próbálja kihúzni a betétet annak ellenőrzésére, hogy biztosan rögzítve van.

► **Ábra9:** 1. Szemcsapágy 2. Porfogó 3. Betét

A csavartartó heveder felszerelése

Bujtassa át a csavartartó hevedert a csavarvezetőn. Ezután bujtassa át az etetődobozon annyira, hogy az első csavar a behajtási pozíció melletti helyzetbe kerüljön.

► **Ábra10:** 1. Etetődoboz 2. Csavartartó heveder 3. Csavarvezető

► **Ábra11:** 1. Behajtási pozíció

A csavartartó heveder eltávolítása

A csavartartó heveder eltávolításához csak húzza azt ki a nyíl irányában. Ha lenyomja az irányváltó gombot, kihúzhatja a csavartartó hevedert a nyíllal ellentétes irányba is.

► **Ábra12**

► **Ábra13:** 1. Irányváltó gomb

A csavarvezető felhajtása

► **Ábra14**

A csavarvezető felhajtható. A csavarvezető felhajtásával a tároláshoz kevesebb helyre van szükség.

Hordkampó

Az akasztó a szerszám ideiglenes felakasztására használható. Ez a szerszám mindkét oldalára felszerelhető. Az akasztó eltávolításához feszítse azt szét, a jobb végeket lenyomva MINDKÉT OLDALON a nyíl (1) irányába, majd emelje azt a nyíl irányába (2).

ÜZEMELTETÉS

Behajtási művelet

► **Ábra16**

Kapcsolja be a szerszámot a kioldókapcsoló meghúzásával. Tartsa merőlegesen és szilárdan a szerszámot munkadarab felületéhez képest. A csavar automatikusan a behajtási pozícióba mozog és meghúzásra kerül.

VIGYÁZAT:

- A behajtás előtt mindig ellenőrizze a betét kopottságát. Cserélje ki az elkopott betétet vagy gyenge meghúzás lesz az eredmény.
- Mindig tartsa merőlegesen a szerszámot munkadarab felületéhez képest. Ha bármilyen más szögben tartja azt, akkor megrongálhatja a csavarfejeket és elkophat a betét. Ez gyenge meghúzást is eredményezhet.
- Mindig tartsa a szerszámot erősen ellen a munkadarab felületének, amíg a behajtás be nem fejeződik. Ennek elmulasztása a csavarok elégtelen meghúzását okozhatja.
- Legyen óvatos, nehogy behajtsa egy csavart egy másik, más meghúzott csavarra.
- Ne működtesse a szerszámot csavarok nélkül. Ez megrombilja a munkadarab felületét.
- Ne használjon olajat vagy zsírt az adagoló doboz csúszó felületein.

Csavarbehajtás sarokban

► **Ábra17:** 1. Fal 2. Ütközőlemez

Ezzel a szerszámmal az ábrán látható módon a faltól 15 mm-re is behajtható csavar.

VIGYÁZAT:

- A csavarbehajtás a faltól 15 mm-nél közelebb, vagy úgy, hogy közben az ütközőlemez érintkezik a fallal, a csavarfejek sérülését és a betét kopását okozhatja. Ez a csavarok gyenge meghúzását és a szerszám hibás működését is okozhatja.

KARBANTARTÁS

VIGYÁZAT:

- Minden esetben ellenőrizze, hogy a szerszám ki van kapcsolva és az akkumulátor eltávolításra került mielőtt átvizsgálja a szerszámot vagy annak karbantartását végzi.
- Soha ne használjon gázolajat, benzint, hígítót, alkoholt vagy hasonló anyagokat. Ezek elszineződést, alakvesztést vagy repedést okozhatnak.

A szénkefék cseréje

► **Ábra18:** 1. Határjelzés

Cserélje ki azokat amikor a határoló jelölésig elkopnak. A szénkefét tartsa tisztán, és azok szabadon csúszszanak a tartókban. Mindkét szénkefét egyszerre kell cserélni. Csak azonos szénkefét használjon. Lazítsa meg a köpenyt rögzítő szárnyascsavart. Húzza ki a köpenyt a nyíl irányába.

► **Ábra19:** 1. Köpeny 2. Szárnyascsavar

Egy csavarhúzóval csavarja ki a két csavart, majd távolítsa el az elülső fedelet.

► **Ábra20:** 1. Elülső fedél 2. Csavarok

Emelje fel a rugós rész karját és helyezze a foglalat bemélyedő részébe egy vékonyszárú hornyolt fejú csavarhúzóval, vagy más megfelelő szerszámmal.

► **Ábra21:** 1. Rugó 2. Kar 3. Bemélyedő rész

Egy fogóval távolítsa el a szénkefefedelet a szénkefétől. Vegye ki az elhasználadott szénkefét, helyezze be az újakat, és helyezze vissza a szénkefefedelet.

► **Ábra22:** 1. Szénkefefedél

Ellenőrizze, hogy a szénkefefedelek szorosan illeszkednek a szénkefetartókon található furatokba.

► **Ábra23:** 1. Furat 2. Szénkefefedél

Helyezze vissza az elülső fedelet és csavarja vissza a két csavart.

A termék **BIZTONSÁGÁNAK** és **MEGBÍZHATÓSÁGÁNAK** fenntartásához, a javításokat, bármilyen egyéb karbantartást vagy beszügyabályozást a Makita Autorizált Szervizközpontoknak kell végrehajtaniuk, mindig Makita pótalkatrészek használatával.

OPCIONÁLIS KIEGÉSZÍTŐK

VIGYÁZAT:

- Ezek a tartozékok vagy kellékek ajánlottak az Önnek ebben a kézikönyvben leírt Makita szerszámához. Bármely más tartozék vagy kellék használata személyes veszélyt vagy sérülést jelenthet. A tartozékot vagy kelléket használja csupán annak kifejezett rendeltetésére.

Ha bármilyen segítségre vagy további információkra van szüksége ezekkel a tartozékokkal kapcsolatban, keresse fel a helyi Makita Szervizközpontot.

- Csavartartó heveder szárazfalazathoz
- Phillips betét
- Különböző típusú eredeti Makita akkumulátorok és töltők
- Műanyag szállítódoboz

MEGJEGYZÉS:

- A listán felsorolt néhány kiegészítő megtalálható az eszköz csomagolásában standard kiegészítőként. Ezek országonként eltérőek lehetnek.

TECHNICKÉ ÚDAJE

Model	DFR540	DFR550	DFR750
Pás so skrutkami	4 x 25 - 55 mm		4 x 45 - 75 mm
Otáčky naprázdno (min ⁻¹)	4000		
Celková dĺžka	424 mm		464 mm
Hmotnosť netto	2,0 - 3,0 kg	2,1 - 3,1 kg	2,1 - 3,2 kg
Menovité napätie	Jednosmerný prúd 14,4 V	Jednosmerný prúd 18 V	Jednosmerný prúd 18 V

- Vzhľadom k neustálemu výskumu a vývoju podliehajú technické údaje uvedené v tomto dokumente zmenám bez upozornenia.
- Technické údaje sa môžu pre rôzne krajiny líšiť.
- Hmotnosť sa môže líšiť v závislosti od nastavcov vrátane akumulátora. Najľahšia a najťažšia kombinácia v súlade s postupom EPTA 01/2014 je uvedená v tabuľke.

Použiteľné akumulátory a nabíjačky

Akumulátor	Model s jednosmerným napätím 14,4 V	BL1415N / BL1430 / BL1430B / BL1440 / BL1450 / BL1460B
	Model s jednosmerným napätím 18 V	BL1815N / BL1820 / BL1820B / BL1830 / BL1830B / BL1840 / BL1840B / BL1850 / BL1850B / BL1860B
Nabíjačka		DC18RC / DC18RD / DC18RE / DC18SD / DC18SE / DC18SF

- Niektoré vyššie uvedené akumulátory a nabíjačky môžu byť nedostupné v závislosti od miesta vášho bydliska.

VAROVANIE: Používajte iba akumulátory a nabíjačky zo zoznamu uvedeného vyššie. Používanie akýchkoľvek iných akumulátorov a nabíjačiek môže spôsobiť zranenie a/alebo požiar.

Určené použitie

Tento nástroj je určený na zaskrutkovanie skrutiek do dreva, kovu a plastu.

Hluk

Typická hladina akustického tlaku pri záťaži A určená podľa EN62841:

Model DFR540

Hladina akustického tlaku (L_{pA}): 77 dB (A)

Odchýlka (K) : 3 dB (A)

Úroveň hluku pri práci môže prekročiť 80 dB (A).

Model DFR550

Hladina akustického tlaku (L_{pA}): 78 dB (A)

Odchýlka (K) : 3 dB (A)

Úroveň hluku pri práci môže prekročiť 80 dB (A).

Model DFR750

Hladina akustického tlaku (L_{pA}): 76 dB (A)

Odchýlka (K) : 3 dB (A)

Úroveň hluku pri práci môže prekročiť 80 dB (A).

Používajte chrániče sluchu

Vibrácie

Celková hodnota vibrácií (trojosový vektorový súčet) určená podľa normy EN62841:

Pracovný režim: skrutkovanie bez príklepu

Emisie vibrácií (a_h): 2,5 m/s² alebo menej

Odchýlka (K): 1,5 m/s²

POZNÁMKA: Deklarovaná hodnota emisií vibrácií bola meraná podľa štandardnej skúšobnej metódy a môže sa použiť na porovnanie jedného náradia s druhým.

POZNÁMKA: Deklarovaná hodnota emisií vibrácií sa môže použiť aj na predbežné posúdenie vystavenia ich účinkom.

VAROVANIE: Emisie vibrácií počas skutočného používania elektrického náradia sa môžu odlišovať od deklarovanej hodnoty emisií vibrácií, a to v závislosti na spôsoboch používania náradia.

VAROVANIE: Nezabudnite označiť bezpečnostné opatrenia s cieľom chrániť obsluhu, a to tie, ktoré sa zakladajú na odhade vystavenia účinkom v rámci reálnych podmienok používania (berúc do úvahy všetky súčasti prevádzkového cyklu, ako sú doby, kedy je náradie vypnuté a kedy beží bez záťaženia, ako dodatok k dobe zapnutia).

Vyhlasenie o zhode ES

Len pre krajiny Európy

Vyhlasenie o zhode ES sa nachádza v prílohe A tohto návodu na obsluhu.

Všeobecné bezpečnostné predpisy pre elektrické nástroje

VAROVANIE: Preštudujte si všetky bezpečnostné varovania, pokyny, vyobrazenia a technické špecifikácie určené pre tento elektrický nástroj. Pri nedodržaní všetkých nižšie uvedených pokynov môže dôjsť k úrazu elektrickým prúdom, požiaru alebo vážnemu zraneniu.

Všetky výstrahy a pokyny si odložte pre prípad potreby v budúcnosti.

Pojem „elektrický nástroj“ sa vo výstrahách vzťahuje na elektricky napájané elektrické nástroje (s káblom) alebo batériu napájané elektrické nástroje (bez kábla).

Bezpečnostné varovania pre akumulátorový skrutkovač

1. Pri práci, keď sa upínací prvok môže dostať do kontaktu so skrytým vedením, držte elektrické náradie len za izolované úchopné povrchy. Upínací prvok, ktorý sa dostane do kontaktu so „živým“ vodičom môže spôsobiť vystavenie kovových častí elektrického náradia „živému“ prúdu a spôsobiť tak obsluhu zasiahnutie elektrickým prúdom.
2. Vždy dbajte na pevný postoj. Ak pracujete vo výškach, dbajte na to, aby pod vami nikto nebol.
3. Náradie držte pevne.
4. Nepribližujte ruky k otáčajúcim sa častiam.
5. Nedotýkajte sa nástavca alebo obrobku hneď po úkone; môžu byť extrémne horúce a môžu popáliť vašu pokožku.
6. Obrobok vždy upínajte do zveráka či do podobného upevňovacieho zariadenia.

TIETO POKYNY USCHOVAJTE.

VAROVANIE: NIKDY nepripustíte, aby seba-vedomie a dobrá znalosť výrobku (získané opakovaným používaním) nahradili presné dodržiavanie bezpečnostných pravidiel pre náradie.

NESPRÁVNE POUŽÍVANIE alebo nedodržiavanie bezpečnostných zásad uvedených v tomto návode môže viesť k vážnemu zraneniu.

Dôležité bezpečnostné a prevádzkové pokyny pre akumulátor

1. Pred použitím akumulátora si prečítajte všetky pokyny a výstražné označenia na (1) nabíjačke akumulátorov, (2) akumulátore a (3) produkte používajúcom akumulátor.
2. Akumulátor nerozoberajte.
3. Ak sa doba prevádzky príliš skrátí, ihneď prerušte prácu. Môže nastať riziko prehriatia, možných popálením či dokonca explózie.
4. V prípade zasiahnutia očí elektrolytom ich vypláchnite čistou vodou a okamžite vyhľadajte lekársku pomoc. Môže dôjsť k strate zraku.

5. Akumulátor neskratujte:
 - (1) Nedotýkajte sa konektorov žiadnym vodičným materiálom.
 - (2) Neskladujte akumulátor v obale s inými kovovými predmetmi, napríklad klíncami, mincami a pod.
 - (3) Akumulátor nevystavujte vode ani dažďu. Skrat akumulátora môže spôsobiť veľký tok prúdu, prehriatie, možné popálenie či dokonca poruchu.
6. Neskladujte nástroj ani akumulátor na miestach s teplotou presahujúcou 50 °C (122 °F).
7. Akumulátor nespauľujte, ani keď je vážne poškodený alebo úplne opotrebovaný. Akumulátor môže v ohni explodovať.
8. Dávajte pozor, aby akumulátor nespadol, a nevystavujte ho nárazom.
9. Nepoužívajte poškodený akumulátor.
10. Litium-iónové akumulátory, ktoré sú súčasťou náradia, podliehajú požiadavkám legislatívy o nebezpečnom tovare.

V prípade obchodnej prepravy, napr. dodanie tretími stranami či špeditériami, sa musia dodržiavať špeciálne požiadavky na zabalenie a označenie. Pred prípravou položky na odoslanie sa vyžaduje konzultácia s odborníkom na nebezpečný materiál. Taktiež treba dodržiavať potenciálne podrobnejšie predpisy príslušnej krajiny. Preplepte alebo zakryte otvorené kontakty a zabaľte akumulátor tak, aby sa v balíku nemohol voľne pohybovať.
11. Akumulátor zlikvidujte v súlade s miestnymi nariadeniami.
12. Akumulátory používajte iba s výrobkami uvedenými spoločnosťou Makita. Inštalácia akumulátorov do nevyhovujúcich výrobkov môže spôsobiť požiar, nadmerné teplo, výbuch alebo únik elektrolytov.

TIETO POKYNY USCHOVAJTE.

POZOR: Používajte len originálne akumulátory od spoločnosti Makita. Používanie batérií, ktoré nie sú od spoločnosti Makita, alebo upravených batérií môže spôsobiť výbuch batérie a následný požiar, zranenie osôb alebo poškodeniu majetku. Následkom bude aj zrušenie záruky od spoločnosti Makita na nástroj a nabíjačku od spoločnosti Makita.

Rady na udržanie maximálnej životnosti akumulátora

1. Akumulátor nabite ešte predtým, ako sa úplne vybije. Vždy prerušte prácu s nástrojom a nabite akumulátor, keď spozorujete nižší výkon nástroja.
2. Nikdy nenabíjate plne nabitý akumulátor. Prebíjanie skracuje životnosť akumulátora.
3. Akumulátor nabíjajte pri izbovej teplote 10 °C – 40 °C (50 °F – 104 °F). Pred nabíjaním nechajte horúci akumulátor vychladnúť.
4. Litium-iónový akumulátor nabite, ak ste ho nepoužívali dlhšie ako šesť mesiacov.

POPIS FUNKCIE

⚠ POZOR:

- Pred úpravou alebo kontrolou funkčnosti nástroja vždy skontrolujte, či je nástroj vypnutý a blok akumulátora je vybratý.

Inštalácia alebo demontáž kazety akumulátora

► **Obr.1:** 1. Červený indikátor 2. Tlačidlo 3. Kazeta akumulátora

- Pred inštaláciou alebo vybratím akumulátora náradie vždy vypnite.
- Ak chcete vybrať akumulátor, vysuňte ho zo zariadenia, pričom posuňte tlačidlo na prednej strane akumulátora.
- Akumulátor vložíte tak, že jazýček akumulátora zarovnáte s rýhou v kryte a zasuniete ho na miesto. Vždy zatlačte úplne, kým zakliknutím nezapadne na miesto. Ak vidíte červený indikátor na hornej strane tlačidla, nie je správne zapadnutý. Nainštalujte ho teda úplne tak, aby tento červený indikátor nebolo vidieť. V opačnom prípade môže náhodne vypadnúť z náradia a ublížiť vám alebo osobám v okolí.
- Akumulátor neinštalujte násilu. Ak sa akumulátor nedá zasunúť ľahko, nekladáte ho správne.

Systém ochrany akumulátora (lítium-iónový akumulátor označený hviezdíčkou)

► **Obr.2:** 1. Označenie hviezdíčkou

Lítium-iónové akumulátory označené hviezdíčkou sú vybavené systémom ochrany. Tento systém automaticky vypne napájanie náradia s cieľom predĺžiť životnosť akumulátora.

Náradie sa môže počas prevádzky automaticky zastaviť v prípade, ak náradie a/alebo akumulátor sú v rámci nasledujúcich podmienok.











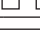
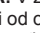


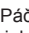
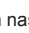
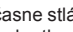
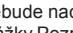
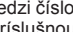




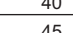
- **Preťaženie:**
Náradie je prevádzkované spôsobom, ktorý spôsobuje odber nadmerne vysokého prúdu. V tejto situácii uvoľníte vypínač náradia a ukončíte aplikáciu, ktorá spôsobuje preťažovanie náradia. Následne potiahnite vypínač a obnovte činnosť.
Ak sa náradie nespustí, akumulátor je prehriaty. V tejto situácii nechajte akumulátor pred opätovným potiahnutím vypínača vychladnúť.
- **Nízke napätie akumulátora:**
Zostávajúca kapacita akumulátora je veľmi nízka a náradie nebude fungovať. V tejto situácii akumulátor vyberte a nabíjte ho.

Indikácia zvyšnej kapacity akumulátora

Len na akumulátory s indikátorom

► **Obr.3:** 1. Indikátory 2. Tlačidlo kontroly

Stlačením tlačidla kontroly na akumulátore zobrazíte zostávajúcu kapacitu akumulátora. Indikátory sa na niekoľko sekúnd rozsvietia.

Indikátory			Zostávajúca kapacita
 Svieti	 Nesvieti	 Bliká	
			75 % až 100 %
			50 % až 75 %
			25 % až 50 %
			0 % až 25 %
			Akumulátor nabíje.
			Akumulátor je možno chybný.
			

POZNÁMKA: V závislosti od podmienok používania a v závislosti od okolitej teploty sa môže zobrazenie mierne odlišovať od skutočnej kapacity.

Nastavenie požadovanej dĺžky skrutky

► **Obr.4:** 1. Páčka 2. Päťka zarážky 3. Štítkov na skrinke podávača 4. Náhľadové okienko

Je 7 kladných nastavení dĺžky nastavovacej skrutky. Na dosiahnutie požadovaného nastavenia vytiahnite päťku zarážky a súčasne stláčajte páčku, kým sa číslo požadovanej dĺžky skrutky (označené na štítku na skrinke podávača) nebude nachádzať v náhľadovom okienku základne zarážky. Pozrite nasledujúcu tabuľku, kde nájdete vzťah medzi číslom označeným na štítku skrinke podávača a príslušnou dĺžkou skrutky.

Pre modely DFR540, DFR550

Číslo označené na štítku	Dĺžka skrutky
25	25 mm
30	30 mm
35	35 mm
40	40 mm
45	45 mm
50	50 mm
55	55 mm

Pre model DFR750

Číslo označené na štítku	Dĺžka skrutky
45	45 mm
50	50 mm
55	55 mm
60	60 mm
65	65 mm
70	70 mm
75	75 mm

Nastavenie hĺbky skrutkovania

- **Obr.5:** 1. Pätka zarážky 2. Puzdro 3. Nastavovací otočný gombík

Zatlačte pätku zarážky až na doraz. Držte ju v tejto polohe a otáčajte nastavovací otočný gombík, kým hrot vrtáka nevyčnieva približne 5 mm od pätky zarážky. Zaskrutkujte skúšobnú skrutku. Ak hlava skrutky vyčnieva nad povrch obrobku, otočte nastavovací gombík v smere "A"; ak je hlava skrutky zapustená, otočte nastavovací gombík v smere "B".

Zapínanie

- **Obr.6:** 1. Spínač

POZOR:

- Pred vložením bloku akumulátora do nástroja sa vždy presvedčíte, či vypínač funguje správne a po uvoľnení sa vráti do pozície "OFF".

Ak chcete nástroj zapnúť, jednoducho potiahnite spínač. Zastavíte ho uvoľnením spínača.

Prepínanie smeru otáčania

- **Obr.7:** 1. Prepínacia páčka smeru otáčania

Tento nástroj má vratný prepínač na zmenu smeru otáčania. Zatlačte páčku vratného prepínača zo strany A pre otáčanie v smere pohybu hodinových ručičiek alebo zo strany B pre otáčanie proti smeru pohybu hodinových ručičiek.

Keď je páčka vratného prepínača v neutrálnej polohe, spúšťač prepínača sa nedá potiahnuť.

POZOR:

- Pred začatím činnosti vždy skontrolujte smer otáčania.
- Vratný prepínač používajte len po úplnom zastavení nástroja. Pri zmene smeru otáčania pred úplným zastavením by sa mohol nástroj poškodiť.
- Keď nástroj nepoužívate, páčku vratného prepínača vždy prepnite do neutrálnej polohy.

MONTÁŽ

POZOR:

- Pred vykonaním akejkoľvek práce na nástroji vždy skontrolujte, či je nástroj vypnutý a kazeta akumulátora je vybraťa.

Montáž alebo demontáž vrtáka

Uvoľnite skrutky s krídlovou hlavou, ktoré zaisťujú puzdro. Vytiahnite puzdro v smere šípky.

- **Obr.8:** 1. Puzdro 2. Krídlová skrutka

Zatlačte protiprachový kryt smerom k plochému ložisku a vytiahnite vrták. Ak sa protiprachový kryt nedá posunúť tak ďaleko ako ploché ložisko, pootočte trochu vrták a skúste znova.

Ak chcete namontovať vrták, vložte ho do objímky a súčasne ním trochu otáčajte. Po vsunutí vždy potiahnuť za vrták skontrolujte, či je správne zaistený.

- **Obr.9:** 1. Rovinné ložisko 2. Protiprachový kryt 3. Vrták

Montáž pásu so skrutkami

Vsuňte pás so skrutkami do vodidla skrutiek. Potom ho prestrkávajte cez skrinku podávača, kým prvá skrutka nedosiahne pozíciu vedľa skrutkovacej polohy.

- **Obr.10:** 1. Skrinka podávača 2. Pás so skrutkami 3. Vodidlo skrutiek

- **Obr.11:** 1. Skrutkovacia poloha

Demontáž pásu so skrutkami

Ak chcete odstrániť pás so skrutkami, jednoducho ho vytiahnite v smere šípky. Ak stlačíte prepínač zmeny smeru, pás so skrutkami môžete vytiahnuť v opačnom smere šípky.

- **Obr.12**

- **Obr.13:** 1. Prepínač zmeny smeru

Sklopenie vodidla skrutiek

- **Obr.14**

Vodidlo skrutiek sa dá sklopiť. Sklopenie vodidla skrutiek umožňuje minimalizovať priestor potrebný na uskladnenie.

Hák na nosenie

Hák na nosenie je vhodný na dočasné zavesenie nástroja. Môže sa namontovať na ktorúkoľvek stranu nástroja.

Keď chcete odstrániť hák na nosenie, roztriahnite ho stlačením jeho pravých koncov NA OBOCH STRANÁCH v smeroch šípky (1) a navdihnite ho v smere šípky (2).

- **Obr.15:** 1. Hák

PRÁCA

Skrutkovanie

► Obr.16

Zapnite nástroj potiahnutím spúšťacieho prepínača. Držte nástroj priamo a pevne oproti skrutkovanému povrchu. Skrutka sa automaticky zavedie do skrutkovačej polohy a utiahne.

▲POZOR:

- Vždy dôkladne skontrolujte vrták, či nie je opotrebovaný. Opotrebovaný vrták vymeňte, inak bude uťahovanie nedostatočné.
- Vždy držte nástroj priamo oproti skrutkovanému povrchu. Pri držaní pod uhlom sa môžu poškodiť hlavy skrutiek a spôsobiť opotrebovanie hrotu. Môže to spôsobiť aj nedostatočné uťahovanie.
- Vždy držte nástroj pevne priamo oproti skrutkovanému povrchu, kým nedokončíte skrutkovanie. V opačnom prípade to môže mať za následok nedostatočné utiahnutie skrutiek.
- Dbajte na to, aby ste nezaskrutkovali skrutku do inej, už utiahnutej skrutky.
- Nepoužívajte nástroj bez skrutiek. Poškodí sa skrutkovačiaci povrch.
- Na klzných plochách skrinky podávača nepoužívajte olej ani mazadlo.

Skrutkovanie v rohoch

► Obr.17: 1. Stena 2. Päťka zarážky

Tento nástroj sa dá používať na skrutkovanie v pozícii 15 mm od steny, ako ukazuje obrázok.

▲POZOR:

- Pri skrutkovaní v pozícii bližšej ako 15 mm od steny alebo pri skrutkovaní v kontakte so stenou sa môžu poškodiť hlavy skrutiek a spôsobiť opotrebovanie vrtáka. Môže to spôsobiť aj nedostatočné uťahovanie skrutiek a poruchu nástroja.

ÚDRŽBA

▲POZOR:

- Pred vykonaním kontroly alebo údržby vždy skontrolujte, či je nástroj vypnutý a blok akumulátora je vybratý.
- Nepoužívajte benzín, riedidlo, alkohol ani nič podobné. Mohlo by to spôsobiť zmenu farby, deformácie alebo praskliny.

Výmena uhlíkov

► Obr.18: 1. Medzná značka

Vymeňte ich, keď sú opotrebované až k označeniu. Uhlíkové kefy udržiavajte čisté a mali by byť voľne sklzáť do držiakov. Obe uhlíkové kefy sa musia vymieňať naraz. Používajte len identické uhlíkové kefy. Uvoľnite skrutky s kridlovou hlavou, ktoré zaisťujú puzdro. Vytiahnite puzdro v smere šípky.

► Obr.19: 1. Puzdro 2. Kridlová skrutka

Skrutkovačom vyberte dve skrutky a potom vyberte predný kryt.

► Obr.20: 1. Predný kryt 2. Skrutky

Zdvihnute rameno pružiny a potom ho umiestnite do zapustenej časti krytu s drážkovaným skrutkovačom štíhneho vretena alebo podobného.

► Obr.21: 1. Pružina 2. Rameno 3. Zapustená časť

Kliešťami vyberte klobúčiky uhlíkových kefiiek. Vyberte opotrebované uhlíkové kefy, vložte nové a vymeňte klobúčiky.

► Obr.22: 1. Klobúčik uhlíkovej kefy

Uistite sa, že klobúčiky uhlíkových kefiiek bezpečne zapadli do otvorov v držiaku kefiiek.

► Obr.23: 1. Otvor 2. Klobúčik uhlíkovej kefy

Znovu namontujte predný kryt a bezpečne dotiahnite dve skrutky.

Kvôli zachovaniu BEZPEČNOSTI a SPOLAHLIVOSTI výrobkov musia byť opravy a akákoľvek ďalšia údržba či nastavovanie robené autorizovanými servisnými strediskami firmy Makita a s použitím náhradných dielov Makita.

VOLITEĽNÉ PRÍSLUŠENSTVO

▲POZOR:

- Pre váš nástroj Makita, opísaný v tomto návode, doporučujeme používať toto príslušenstvo a nástavce. Pri použití iného príslušenstva či nástavcov môže hroziť nebezpečenstvo zranenia osôb. Príslušenstvo a nástavce sa môžu používať len na účely pre ne stanovené.

Ak potrebujete bližšie informácie týkajúce sa tohoto príslušenstva, obráťte sa na vaše miestne servisné stredisko firmy Makita.

- Pás so skrutkami do sadrokartónu
- Vrták Philips
- Rôzne druhy originálnych blokov akumulátorov a nabíjačiek
- Plastový kufrik

POZNÁMKA:

- Niektoré položky zo zoznamu môžu byť súčasťou balenia náradia vo forme štandardného príslušenstva. Rozsah týchto položiek môže byť v každej krajine odlišný.

TECHNICKÉ ÚDAJE

Model	DFR540	DFR550	DFR750
Pás šroubů	4 x 25 - 55 mm		4 x 45 - 75 mm
Otáčky bez zatížení (min ⁻¹)	4 000		
Celková délka	424 mm		464 mm
Hmotnost netto	2,0 - 3,0 kg	2,1 - 3,1 kg	2,1 - 3,2 kg
Jmenovité napětí	14,4 V DC	18 V DC	18 V DC

- Vzhledem k neustálému výzkumu a vývoji zde uvedené technické údaje podléhají změnám bez upozornění.
- Specifikace se mohou pro různé země lišit.
- Hmotnost se může lišit v závislosti na nástavcích a přídatných zařízeních, včetně akumulátoru. Nejlehčí a nejtěžší kombinace, dle EPTA-Procedure 01/2014, jsou uvedeny v tabulce níže.

Použitelný akumulátor a nabíječka

Akumulátor	Model 14,4 V	BL1415N / BL1430 / BL1430B / BL1440 / BL1450 / BL1460B
	Model 18 V	BL1815N / BL1820 / BL1820B / BL1830 / BL1830B / BL1840 / BL1840B / BL1850 / BL1850B / BL1860B
Nabíječka		DC18RC / DC18RD / DC18RE / DC18SD / DC18SE / DC18SF

- V závislosti na regionu vašeho bydliště nemusí být některé akumulátory a nabíječky k dispozici.

VAROVÁNÍ: Používejte pouze výše uvedené akumulátory a nabíječky. Použití jiných akumulátorů a nabíječek může způsobit zranění a/nebo požár.

Určení nástroje

Nástroj je určen ke šroubování do dřeva, kovů a plastů.

Hlučnost

Typická vážená hladina hluku (A) určená podle normy EN62841:

Model DFR540

Hladina akustického tlaku (L_{pA}): 77 dB (A)

Nejistota (K): 3 dB (A)

Hladina hluku při práci může překročit hodnotu 80 dB (A).

Model DFR550

Hladina akustického tlaku (L_{pA}): 78 dB (A)

Nejistota (K): 3 dB (A)

Hladina hluku při práci může překročit hodnotu 80 dB (A).

Model DFR750

Hladina akustického tlaku (L_{pA}): 76 dB (A)

Nejistota (K): 3 dB (A)

Hladina hluku při práci může překročit hodnotu 80 dB (A).

Používejte ochranu sluchu

Vibrace

Celková hodnota vibrací (vektorový součet tří os) určená podle normy EN62841:

Pracovní režim: Šroubování bez ovlivňování

Emise vibrací (a_h): 2,5 m/s² nebo méně

Nejistota (K): 1,5 m/s²

POZNÁMKA: Deklarovaná hodnota emisí vibrací byla změřena v souladu se standardní testovací metodou a může být využita ke srovnávání nářadí mezi sebou.

POZNÁMKA: Deklarovanou hodnotu emisí vibrací lze rovněž využít k předběžnému posouzení vystavení jejich vlivu.

VAROVÁNÍ: Emise vibrací během skutečného používání elektrického nářadí se mohou od deklarované hodnoty emisí vibrací lišit v závislosti na způsobu použití nářadí.

VAROVÁNÍ: Na základě odhadu vystavení účinkům vibrací v aktuálních podmínkách zajistěte bezpečnostní opatření k ochraně obsluhy (vezměte v úvahu všechny části pracovního cyklu, mezi něž patří kromě doby pracovního nasazení i doba, kdy je nářadí vypnuto nebo pracuje ve volnoběhu).

Prohlášení ES o shodě

Pouze pro evropské země

Prohlášení ES o shodě je obsaženo v Příloze A tohoto návodu k obsluze.

Obecná bezpečnostní upozornění k elektrickému nářadí

VAROVÁNÍ: Přečtěte si všechny bezpečnostní výstrahy i pokyny a prohlédněte si ilustrace a specifikace dodané k tomuto elektrickému nářadí. Nedodržení všech níže uvedených pokynů může vést k úrazu elektrickým proudem, požáru či vážnému zranění.

Všechna upozornění a pokyny si uschovejte pro budoucí potřebu.

Pojem „elektrické nářadí“ v upozorněních označuje elektrické nářadí, které se zapojuje do elektrické sítě, nebo elektrické nářadí využívající akumulátory.

Bezpečnostní varování k akumulátorovému šroubováku

1. Při práci v místech, kde může dojít ke kontaktu spojovacího prvku se skrytým elektrickým vedením, držte elektrické nářadí za izolované části držadel. Spojovací prvky mohou při kontaktu s vodičem pod napětím přenést proud do nechráněných částí nářadí a obsluha může utrpět úraz elektrickým proudem.
2. Vždy zaujměte stabilní postoj. Při práci s nářadím ve výškách dbejte, aby se pod vámi nepohybovaly žádné osoby.
3. Držte nářadí pevně.
4. Nepřibližujte ruce k otáčejícím se částem.
5. Nedotýkejte se bezprostředně po skončení práce nástroje ani obrobku. Mohou být velmi horké a mohou by způsobit popáleniny kůže.
6. Obrobek vždy upínejte do svěráku či do podobného upevňovacího zařízení.

TYTO POKYNY USCHOVEJTE.

VAROVÁNÍ: NEDOVLTE, aby pohodlnost nebo pocit znalosti výrobku (získaný na základě předchozího použití) vedl k zanedbání dodržování bezpečnostních pravidel platných pro tento výrobek.

NESPRÁVNÉ POUŽÍVÁNÍ či nedodržení bezpečnostních pravidel uvedených v tomto návodu k obsluze může způsobit vážné zranění.

Důležitá bezpečnostní upozornění pro akumulátor

1. Před použitím akumulátoru si přečtěte všechny pokyny a varovné symboly na (1) nabíječce, (2) akumulátoru a (3) výrobku využívaným akumulátor.
2. Akumulátor nerozebírejte.
3. Pokud se příliš zkrátí provozní doba akumulátoru, přerušte okamžitě práci. V opačném případě existuje riziko přehřívání, popálení nebo dokonce výbuchu.
4. Budou-li vaše oči zasaženy elektrolytem, vypláchněte je čistou vodou a okamžitě vyhledejte lékařskou pomoc. Může dojít ke ztrátě zraku.
5. Akumulátor nezkratujte:
 - (1) Nedotýkejte se svorek žádným vodivým materiálem.
 - (2) Neskladujte akumulátor v nádobě s jinými kovovými předměty, jako jsou hřebíky, mince, apod.
 - (3) Nevystavuje akumulátor vodě a dešti.

Zkrat akumulátoru může způsobit velký průtok proudu, přehřátí, možné popálení a dokonce i poruchu.

6. Neskladujte nářadí a akumulátor na místech, kde může teplota překročit 50 °C (122 °F).
7. Nespalujte akumulátor, ani když je vážně poškozen nebo úplně opotřeben. Akumulátor může v ohni vybuchnout.
8. Dávejte pozor, abyste akumulátor neupustili ani s ním nenaráželi.
9. Nepoužívejte poškozené akumulátory.
10. Obsazené lithium-iontové akumulátory podléhají právním požadavkům na nebezpečné zboží.

V případě komerční přepravy například externími dopravci je třeba dodržet zvláštní požadavky na balení a značení.

Pro přípravu zboží k přepravě je nutná konzultace s odborníkem na nebezpečný materiál. Dodržujte také případné podrobnější národní předpisy. Odkryté kontakty přelepte izolační páskou či jinak zakryjte a akumulátory zabalte tak, aby se v balení nemohly pohybovat.
11. Při likvidaci akumulátoru postupujte podle místních předpisů.
12. Akumulátor používejte pouze s výrobky specifikovanými společností Makita. Instalace akumulátoru do nevyhovujících výrobků může způsobit požár, nadměrné zahřívání, explozi nebo únik elektrolytu.

TYTO POKYNY USCHOVEJTE.

UPOZORNĚNÍ: Používejte pouze originální akumulátory Makita. Používání neoriginálních nebo upravených akumulátorů může způsobit explozi akumulátoru a následný požár, zranění a jiné poškození. Zaniká tím také záruka společnosti Makita na nářadí a nabíječku Makita.

Tipy k zajištění maximální životnosti akumulátoru

1. Akumulátor nabíjete dříve, než dojde k jeho úplnému vybití. Pokud si povšimnete sníženého výkonu nářadí, vždy jej zastavte a dobijte akumulátor.
2. Nikdy nenabíjete úplně nabitý akumulátor. Přebíjení zkracuje životnost akumulátoru.
3. Akumulátor dobíjete při pokojové teplotě od 10 °C do 40 °C (50 °F až 104 °F). Před nabíjením nechejte horký akumulátor zchladnout.
4. Pokud se akumulátor delší dobu nepoužívá (déle než šest měsíců), je nutno jej dobít.

POPIS FUNKCE

⚠ UPOZORNĚNÍ:

- Před nastavováním nástroje nebo kontrolou jeho funkce se vždy přesvědčte, zda je nástroj vypnutý a je odpojen jeho akumulátor.

Instalace a demontáž akumulátoru

- **Obr.1:** 1. Červený indikátor 2. Tlačítko 3. Akumulátor
- Před nasazením či sejmutím bloku akumulátoru nářadí vždy vypněte.
 - Jestliže chcete blok akumulátoru vyjmout, vysuňte jej se současným přesunutím tlačítka na přední straně akumulátoru.
 - Při instalaci akumulátoru vyrovnejte jazýček na bloku akumulátoru s drážkou v krytu a zasuňte akumulátor na místo. Akumulátor zasunujte vždy nadoraz, až zacvakne na místo. Není-li tlačítko zcela zajištěno, uvidíte na jeho horní straně červený indikátor. Zasuňte akumulátor zcela tak, aby nebyl červený indikátor vidět. Jinak by mohl akumulátor ze zařízení vypadnout a způsobit zranění obsluze či přihlížejícím osobám.
 - Při vkládání akumulátoru nepoužívejte přílišnou sílu. Nelze-li akumulátor zasunout snadno, nevkládáte jej správně.

Systém ochrany akumulátoru (lithium-iontový akumulátor se značkou hvězdičky)

- **Obr.2:** 1. Značka hvězdičky

Lithium-iontové akumulátory se značkou hvězdičky jsou vybaveny systémem ochrany. Tento systém automaticky přeruší napájení nářadí, aby se prodloužila životnost akumulátoru.

Budou-li nářadí nebo akumulátor vystaveny některé z níže uvedených podmínek, nářadí se během provozu automaticky vypne:




















- Přetížení:
 - S nářadím se pracuje takovým způsobem, že dochází k odběru mimořádně vysokého proudu.
 - V takovém případě uvolněte spoušť nářadí a ukončete činnost, jež vedla k přetížení zařízení. Potom nářadí opětovným stisknutím spouště znovu spusťte.
 - Jestliže se nářadí nespustí, došlo k přehřátí akumulátoru. V takovém případě nechte akumulátor před opětovným stisknutím spouště vychladnout.
- Nízké napětí akumulátoru:
 - Zbývající kapacita akumulátoru je příliš nízká a nářadí nebude pracovat. V takovém případě vyjměte akumulátor a dobijte jej.

Indikace zbývající kapacity akumulátoru

Pouze pro akumulátory s diodovým ukazatelem

- **Obr.3:** 1. Kontrolky 2. Tlačítko kontroly

Stisknutím tlačítka kontroly na akumulátoru zjistíte zbývající kapacitu akumulátoru. Kontrolky indikátoru se na několik sekund rozsvítí.

Kontrolky			Zbývající kapacita
 Svítí	 Nesvítí	 Bliká	
			75 % až 100 %
			50 % až 75 %
			25 % až 50 %
			0 % až 25 %
			Nabíjte akumulátor.
			Došlo pravděpodobně k poruše akumulátoru.
			

POZNÁMKA: Kapacita udávaná indikátorem se může mírně lišit od skutečné kapacity v závislosti na podmínkách používání a teplotě prostředí.

Nastavení požadované délky šroubu

- **Obr.4:** 1. Páčka 2. Základna dorazu 3. Štítek na rozvodu 4. Otvor

K dispozici je 7 nastavení délky pozitivního pojistného šroubu. Chcete-li dosáhnout požadovaného nastavení, stiskněte páčku a vytahujte základnu dorazu, dokud se v okýnku základny dorazu neobjeví hodnota požadované délky šroubu (vyznačeno na štítku rozvodu). Vztah mezi číslem signalizovaným na štítku rozvodu a příslušnými délkami šroubů naleznete v tabulce níže.

Modely DFR540, DFR550

Číslo uvedené na štítku	Délka šroubu
25	25 mm
30	30 mm
35	35 mm
40	40 mm
45	45 mm
50	50 mm
55	55 mm

Model DFR750

Číslo uvedené na štítku	Délka šroubu
45	45 mm
50	50 mm
55	55 mm
60	60 mm
65	65 mm
70	70 mm
75	75 mm

Nastavení hloubky šroubování

- **Obr.5:** 1. Základna dorazu 2. Skříň 3. Regulační knoflík

Stiskněte co nejvíce základnu dorazu. Udržujte tuto polohu a otáčejte regulačním knoflíkem, dokud hrot nástroje nevyčnívá přibližně 5 mm ze základny dorazu. Zašroubujte zkušební šroub. Pokud hlava šroubu vyčnívá nad povrch dílu, otáčejte regulačním knoflíkem ve směru „A“; je-li hlava šroubu zapuštěná, otáčejte regulačním knoflíkem ve směru „B“.

Zapínání

- **Obr.6:** 1. Spínač

▲ UPOZORNĚNÍ:

- Před vložením akumulátoru do nástroje vždy zkontrolujte správnou funkci spouště a zda se po uvolnění vrací do vypnuté polohy.

Chcete-li nástroj uvést do chodu, stačí stisknout jeho spoušť. Chcete-li nástroj vypnout, uvolněte spoušť.

Přepínání směru otáčení

- **Obr.7:** 1. Přepínací páčka směru otáčení

Tento nástroj je vybaven přepínačem směru otáčení. Stisknutím páčky přepínače směru otáčení v poloze A se nástroj otáčí ve směru hodinových ručiček, zatímco při stisknutí v poloze B proti směru hodinových ručiček. Je-li páčka přepínače směru otáčení v neutrální poloze, nelze stisknout spoušť nástroje.

▲ UPOZORNĚNÍ:

- Před zahájením provozu vždy zkontrolujte nastavený směr otáčení.
- S přepínačem směru otáčení manipulujte až poté, co nástroj dosáhne úplného klidu. Provedete-li změnu směru otáčení před zastavením nástroje, může dojít k jeho poškození.
- Pokud nástroj nepoužíváte, vždy přesuňte přepínač směru otáčení do neutrální polohy.

MONTÁŽ

▲ UPOZORNĚNÍ:

- Před prováděním libovolných prací na nástroji se vždy přesvědčte, zda je nástroj vypnutý a je odpojen jeho akumulátor.

Instalace a demontáž pracovního nástroje

Povolte šrouby s křídlovou hlavou uchycující skříň. Přesuňte skříň ve směru šipky.

- **Obr.8:** 1. Skříň 2. Křídlový šroub

Posuňte protiprachový kryt směrem ke kluznému ložisku a vysuňte pracovní nástroj. Pokud protiprachový kryt nelze přesunout až ke kluznému ložisku, otočte mírně pracovní nástroj a postup opakujte. Při instalaci pracovního nástroje jej vložte do nástavce a současně mírně pootočte. Po instalaci se pokusem o vytažení vždy přesvědčte, zda je pracovní nástroj bezpečně uchycen na svém místě.

- **Obr.9:** 1. Kluzné ložisko 2. Protiprachový kryt 3. Vrták

Instalace pásu šroubů

Vložte pás šroubů přes vodítko šroubů. Poté jej prostrčte komorou zásobníku, dokud první šroub nedosáhne polohy vedle místa šroubování.

- **Obr.10:** 1. Přívodní skříň 2. Pás šroubů 3. Vodítko šroubů

- **Obr.11:** 1. Poloha šroubování

Odstranění pásu šroubů

Chcete-li odstranit pás šroubů, jednoduše jej vytáhněte ve směru šipky. Pokud stisknete tlačítko obrácení, můžete pás šroubů vytáhnout v opačném směru od šipky.

- **Obr.12**

- **Obr.13:** 1. Tlačítko otočení

Sklopěcí průvodnice šroubu

- **Obr.14**

Průvodnice šroubu je sklápěcí. Sklopěcí průvodnice šroubu umožňuje minimalizovat nároky pro ukládací prostor.

Přenášecí háček

Přenášecí háček je výhodný pro dočasné zaháknutí nástroje. Lze jej nainstalovat na obou stranách nástroje. Při sundávání přenášecího háčku jej uvolněte stisknutím jeho pravých konců NA OBOU STRANÁCH ve směrech šipky (1) a nadzvedněte jej ve směru šipky (2).

- **Obr.15:** 1. Háč

PRÁCE

Šroubování

► Obr.16

Nástroj se uvádí do chodu stisknutím spouště. Nástroj držte přímo a pevně proti povrchu, do kterého šroubujete. Šroub bude automaticky přenesen na místo šroubování a utažen.

▲ UPOZORNĚNÍ:

- Před šroubováním vždy pečlivě zkontrolujte opotřeбенí pracovního nástroje. Opotřeбенý pracovní nástroj vyměňte. Pokud tak neučiníte, nelze zaručit uspokojivé šroubování.
- Vždy držte nástroj přímo proti povrchu, do kterého šroubujete. Budete-li jej držet pod úhlem, mohou se poškodit hlavy šroubů nebo opotřeбен pracovní nástroj. Současně nelze zaručit uspokojivé šroubování.
- Nástroj vždy až do konce šroubování držte pevně proti povrchu, do kterého šroubujete. V opačném případě nemusí být šrouby utaženy dostatečně.
- Dávejte pozor, abyste šroub nešroubovali na místo, kde se již nachází jiný šroub.
- Neprovazujte nástroj bez šroubů. Došlo by k poškození povrchu, do kterého šroubujete.
- Nepoužívejte olej ani maziva na vodící plochu rozvodu.

Šroubování v rozích

► Obr.17: 1. Stěna 2. Základna dorazu

Tento nástroj lze použít ke šroubování ve vzdálenosti 15 mm od stěny, jak je ilustrováno na obrázku.

▲ UPOZORNĚNÍ:

- Budete-li šroubovat ve vzdálenosti menší než 15 mm od stěny nebo bude základna dorazu během šroubování v kontaktu se stěnou, může dojít k poškození hlav šroubů nebo opotřeбен pracovního nástroje. V takovém případě nelze rovněž zaručit dostatečně utažení šroubů a může dojít k poruše nástroje.

ÚDRŽBA

▲ UPOZORNĚNÍ:

- Před zahájením kontroly nebo údržby nástroje se vždy přesvědčte, zda je nástroj vypnutý a je odpojen akumulátor.
- Nikdy nepoužívejte benzín, benzen, ředidlo, alkohol či podobné prostředky. Mohlo by tak dojít ke změnám barvy, deformacím či vzniku prasklin.

Výměna uhlíků

► Obr.18: 1. Mezní značka

Jsou-li opotřeбенé až po mezní značku, vyměňte je. Uhlíky musí být čisté a musí volně zapadat do svých držáků. Oba uhlíky je třeba vyměňovat současně. Používejte výhradně stejné uhlíky. Povolte šrouby s křídlovou hlavou uchycující skříň. Přesuňte skříň ve směru šípky.

► Obr.19: 1. Skříň 2. Křídlový šroub

Pomocí šroubováku odšroubujte dva šrouby a odejměte přední kryt.

► Obr.20: 1. Přední kryt 2. Šrouby

Zvedněte rameno pružiny a poté jej umístíte do prohloubené části skříně pomocí plochého šroubováku se štíhlým hrotem nebo podobného nástroje.

► Obr.21: 1. Pružina 2. Rameno 3. Zapuštěný díl

K odstranění krytek uhlíků používejte kleště. Vyměňte opotřeбенé uhlíky, vložte nové a opačným postupem zašroubujte krytky zpět.

► Obr.22: 1. Krytka uhlíku

Dbejte, aby krytky uhlíků zapadly bezpečně do otvorů v držácích uhlíků.

► Obr.23: 1. Otvor 2. Krytka uhlíku

Nainstalujte zpět přední kryt a pevně dotáhněte oba šrouby.

Kvůli zachování BEZPEČNOSTI a SPOLEHLIVOSTI výrobku musí být opravy a veškerá další údržba či servisování prováděny autorizovanými servisními středisky firmy Makita a s použitím náhradních dílů Makita.

VOLITELNÉ PŘÍSLUŠENSTVÍ

▲ UPOZORNĚNÍ:

- Pro váš nástroj Makita, popsany v tomto návodu, doporučujeme používat toto příslušenství a nástavce. Při použití jiného příslušenství či nástavců může hrozit nebezpečí zranění osob. Příslušenství a nástavce lze používat pouze pro jejich stanovené účely.

Potřebujete-li bližší informace ohledně tohoto příslušenství, obraťte se na vaše místní servisní středisko firmy Makita.

- Pás vrutů do sádrokartonu
- Křížový nástavec
- Různé typy originálních akumulátorů a nabíječek Makita
- Plastový kufřík

POZNÁMKA:

- Některé položky seznamu mohou být k zařazení přibaleny jako standardní příslušenství. Přibalené příslušenství se může v různých zemích lišit.

Makita Europe N.V. Jan-Baptist Vinkstraat 2,
3070 Kortenberg, Belgium

Makita Corporation 3-11-8, Sumiyoshi-cho,
Anjo, Aichi 446-8502 Japan

www.makita.com

885286A978 EN, UK, PL, RO, DE, HU, SK, CS 20170825
